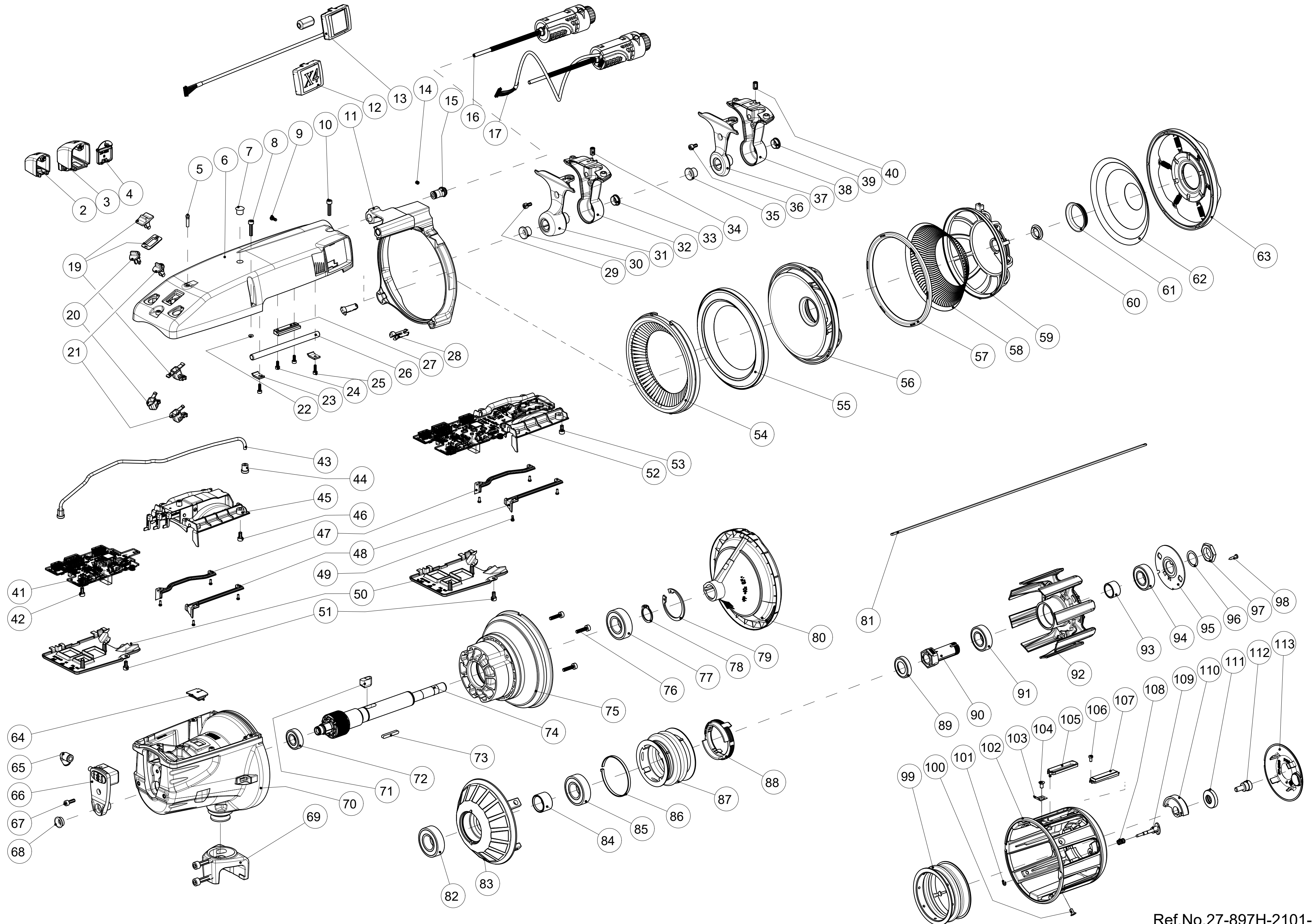




# 8027/8127 Luna X4 170V - Exploded view




|  |               |  |                                      |   |
|--|---------------|--|--------------------------------------|---|
| <b>ROJ</b>   | PAGE<br>1 (3) | Spare parts list for<br>Luna X4 8027.41.XXH.<br>Luna X4 8127.41.XXH. | REF. NO.<br>27-897H-<br>2101-03/2442 |  |
| <p>Parts specific only to certain models are identified with □ in the centre column.<br/> Luna X4 Optical sensor = O.<br/> Luna X4 Mechanical sensor = M.<br/> Unmarked positions are common to all feeder models.</p> |               |  |                                      |   |

| POS                       | PART NO       | DESCRIPTION                     | O | M | REMARKS  |
|---------------------------|---------------|---------------------------------|---|---|--|
| 2                         | 24-0653-R     | CABLE COVER ACCESSORIES CPL     |   |   |  |
| 3                         | 24-0803-1750  | CONNECTION CABLE                |   |   |  |
| 3                         | 24-0803-3000  | CONNECTION CABLE                |   |   | Not valid for CAN communication  |
| 3                         | 24-0803-5000  | CONNECTION CABLE                |   |   | Not valid for CAN communication  |
| 4                         | 24-0611       | CABLE COVER                     |   |   |  |
| 5                         | 28-0041       | LIGHT GUIDE                     |   |   |  |
| 6                         | 27-0940-001L  | TOP COVER X4                    |   |   |  |
| 7                         | 900-9375      | PLUG                            | □ |   | Package of 10 pcs.   |
| 8, 10                     | 900-0260      | SCREW                           |   |   | Package of 10 pcs.   |
| 9                         | 900-0651      | SCREW                           |   |   | Package of 10 pcs.   |
| 10, 8                     | 900-0260      | SCREW                           |   |   | Package of 10 pcs.   |
| 11                        | 27-0941       | BRUSH HOLDER COMPLETE           |   |   | Incl. pos. 14, 15, 28. For TED and Quick release. (For motor module. remove nut) |
| 12                        | 40-0919       | DISPLAY DUMMY X4                |   |   |  |
| 13                        | 40-0914       | DISPLAY UNIT COMPLETE X4        |   |   |  |
| 14                        | 900-0584      | SCREW                           |   |   | Package of 10 pcs.   |
| 15                        | 24-0950       | NUT X4                          |   |   | Compatible with quick release and TED  |
| 15                        | 24-0967       | NUT X4                          |   |   | Compatible with motor module   |
| 16                        | 40-0904-002   | QUICK RELEASE COMPLETE X4       |   |   |  |
| 17                        | 40-0904-001   | TED COMPLETE X4                 |   |   |  |
| 19                        | 24-0721-R     | ON/OFF SWITCH WITH MAGNET HOLD  |   |   |  |
| 20                        | 24-0720-R     | S/Z SWITCH WITH MAGNET HOLDER   |   |   |  |
| 21                        | 24-0719-R     | MAX/MIN HANDLE W. MAGNET HOLDER |   | □ |  |
| 22                        | 900-9355      | O-RING                          |   |   | Package of 10 pcs.   |
| 23                        | 24-0953       | CLAMP X4                        |   |   | Package of 10 pcs.   |
| 24                        | 900-0163      | SCREW                           |   |   | Package of 10 pcs.   |
| 25                        | 900-0307      | SCREW                           |   |   | Package of 10 pcs.   |
| 26                        | 24-0952       | PIPE X4                         |   |   |  |
| 27                        | 24-0951       | SUPPORT X4                      |   |   |  |
| 28                        | 24-0605       | SNAP-IN CAGE                    |   |   |  |
| 29, 36, 48,<br>52, 57, 59 | 900-0117      | SCREW                           |   |   | Package of 10 pcs.   |
| 30, 35                    | 24-0591-001   | CERAMIC EYELET                  |   |   | Package of 10 pcs.   |
| 30, 35                    | 24-0591-002   | CERAMIC EYELET POLISHED         |   |   | Package of 10 pcs.   |
| 31                        | 24-0648-001-R | NOSE 30° COVER                  |   |   | Full threading. Incl. Pos. 30  |
| 31                        | 24-0648-002   | NOSE 30° COVER POLISHED EYELET  |   |   | Full threading. Incl. Pos. 30  |
| 32                        | 24-0590-001L  | NOSE 30° COMPLETE               |   |   | Full threading. Incl. Pos. 29, 30, 31, 33, 34                                    |
| 32                        | 24-0590-002L  | NOSE 30° COMPLETE POL EYELETS   |   |   | Full threading. Incl. Pos. 29, 30, 31, 33, 34                                    |
| 33, 39, 68                | 900-6163-001  | CERAMIC EYELET                  |   |   | Package of 10 pcs.   |
| 33, 39, 68                | 900-6163-003  | CERAMIC EYELET POLISHED         |   |   | Package of 10 pcs.   |
| 34, 40                    | 900-0495      | SCREW                           |   |   | Package of 10 pcs.   |
| 35, 30                    | 24-0591-001   | CERAMIC EYELET                  |   |   | Package of 10 pcs.   |
| 35, 30                    | 24-0591-002   | CERAMIC EYELET POLISHED         |   |   | Package of 10 pcs.   |
| 36, 29, 48,<br>52, 57, 59 | 900-0117      | SCREW                           |   |   | Package of 10 pcs.   |
| 37                        | 24-0649-001   | NOSE 42° COVER                  |   |   | Full threading. Incl. pos. 35  |
| 37                        | 24-0649-002   | NOSE 42° COVER POLISHED EYELET  |   |   | Full threading. Incl. pos. 35  |
| 38                        | 24-0590-003L  | NOSE 42° COMPLETE               |   |   | Full threading. Incl. Pos. 35, 36, 37, 39, 40                                    |
| 38                        | 24-0590-004L  | NOSE 42° COMPLETE POL EYELETS   |   |   | Full threading. Incl. Pos. 35, 36, 37, 39, 40                                    |
| 39, 33, 68                | 900-6163-001  | CERAMIC EYELET                  |   |   | Package of 10 pcs.   |
| 39, 33, 68                | 900-6163-003  | CERAMIC EYELET POLISHED         |   |   | Package of 10 pcs.   |
| 40, 34                    | 900-0495      | SCREW                           |   |   | Package of 10 pcs.   |
| 41                        | 09E01016RN0   | CIRCUIT BOARD LUNA X4 170V MECH |   | □ |  |
| 42, 29, 36,<br>46, 51, 53 | 900-0117      | SCREW                           |   | □ | Package of 10 pcs.   |
| 43                        | 27-0902       | AIR TUBE WITH RUBBER CONNECTOR  |   |   |  |
| 44                        | 27-0817       | RUBBER NIPPLE                   |   |   |  |
| 45                        | 27-0944-001   | SENSOR HOUSING CPL. X4          |   | □ |  |
| 45                        | 27-0944-002   | SENSOR HOUSING CPL. X4          |   | □ | Plasma coated sensor feet  |
| 46, 29, 36,<br>42, 51, 53 | 900-0117      | SCREW                           |   | □ | Package of 10 pcs.   |

|  |               |  |                                      |   |
|--|---------------|--|--------------------------------------|---|
| <b>ROJ</b>   | PAGE<br>2 (3) | Spare parts list for<br>Luna X4 8027.41.XXH.<br>Luna X4 8127.41.XXH. | REF. NO.<br>27-897H-<br>2101-03/2442 |  |
| <p>Parts specific only to certain models are identified with □ in the centre column.<br/> Luna X4 Optical sensor = O.<br/> Luna X4 Mechanical sensor = M.<br/> Unmarked positions are common to all feeder models.</p> |               |  |                                      |   |

| POS                       | PART NO       | DESCRIPTION                                | O | M | REMARKS                                  |
|---------------------------|---------------|--|---|---|--|
| 47                        | 27-0959       | CABLE COVER KIT                            |   |   | Incl. pos. 48.                           |
| 48                        | 27-0959       | CABLE COVER KIT                            |   |   | Incl. pos. 47.                           |
| 49                        | 900.0509      | SCREW                                      |   |   | Package of 10 pcs.                       |
| 50                        | 27.0949       | PROTECTION COVER                           |   |   |  |
| 51, 29, 36,<br>42, 46, 53 | 900-0117      | SCREW                                      |   |   | Package of 10 pcs.                       |
| 52                        | 09E01018RN0   | CIRCUIT BOARD LUNA X4 170V OPTO            | □ |   | Incl. sensor                             |
| 52                        | 09E01018RN0HS | CIRCUIT BOARD LUNA X4 170V OPTO            | □ |   | Incl. sensor. Setting, High Sensitivity  |
| 53, 29, 36,<br>42, 46, 51 | 900-0117      | SCREW                                      | □ |   | Package of 10 pcs.                       |
| 54                        | 27-0492-005   | Brush Ring 110 mm Soft Straight            |   |   | Natural                                  |
| 54                        | 27-0492-105   | Brush Ring 110 mm Soft Z-rotation          |   |   | Natural                                  |
| 54                        | 27-0492-205   | Brush Ring 110 mm Soft S-rotation          |   |   | Natural                                  |
| 54                        | 27-0492-002   | Brush Ring 110 mm Medium Straight          |   |   | Natural                                  |
| 54                        | 27-0492-102   | Brush Ring 110 mm Medium Z-rotation        |   |   | Natural                                  |
| 54                        | 27-0492-202   | Brush Ring 110 mm Medium S-rotation        |   |   | Natural                                  |
| 54                        | 27-0492-006   | Brush Ring 110 mm Medium Straight          |   |   | Synthetic                                |
| 54                        | 27-0492-106   | Brush Ring 110 mm Medium Z-rotation        |   |   | Synthetic                                |
| 54                        | 27-0492-004   | Brush Ring 110 mm Stiff Straight           |   |   | Synthetic                                |
| 54                        | 27-0492-104   | Brush Ring 110 mm Stiff Z-rotation         |   |   | Synthetic                                |
| 55                        | 27-0524-001   | E-FLEX BRAKE 110 mm Soft                   |   |   | 30° Black colour                         |
| 55                        | 27-0438-001   | CONE FLEX BRAKE 110 mm 0,08                |   |   | Strip only for E-flex soft 30°           |
| 55                        | 27-0573-102   | E-FLEX BRAKE 110 mm Medium                 |   |   | 30° Blue colour                          |
| 55                        | 27-0585-002   | E-FLEX BRAKE 110 mm Stiff                  |   |   | 30° Red colour                           |
| 55                        | 27-0438-002   | CONE FLEX BRAKE 110 mm 0,10                |   |   | Strip only for E-flex medium & stiff 30° |
| 55                        | 27-0585-103   | E-FLEX BRAKE 110 mm Extra Stiff            |   |   | 30° Grey colour                          |
| 55                        | 27-0438       | CONE FLEX BRAKE 110 mm 0,15                |   |   | Strip only for E-flex extra stiff 30°    |
| 55                        | 27-0596-001   | E-FLEX BRAKE 110 mm Soft                   |   |   | 42° Black colour                         |
| 55                        | 27-0541-001   | CONE FLEX BRAKE 110 mm 0,08                |   |   | Strip only for E-flex soft 42°           |
| 55                        | 27-0596-102   | E-FLEX BRAKE 110 mm Medium                 |   |   | 42° Blue colour                          |
| 55                        | 27-0734-002   | E-FLEX BRAKE 110 mm Stiff                  |   |   | 42° Red colour                           |
| 55                        | 27-0541-002   | CONE FLEX BRAKE 110 mm 0,10                |   |   | Strip only for E-flex medium & stiff 42° |
| 56                        | 54T00936      | M-FLEX 110 mm Soft                         |   |   |  |
| 56                        | 43E00091      | CONE 110 mm                                |   |   | Brake element only for M-flex soft       |
| 56                        | 54T00937      | M-FLEX 110 mm Medium                       |   |   |  |
| 56                        | 43E00092R     | CONE 110 mm                                |   |   | Brake element only for M-flex medium     |
| 57                        | 54T00730      | Lamella tensioner 110 mm soft Z-rotation   |   |   | Incl. pos. 58, 59, 60                    |
| 57                        | 54T00731      | Lamella tensioner 110 mm medium Z-rotation |   |   | Incl. pos. 58, 59, 60                    |
| 57                        | 54T00732      | Lamella tensioner 110 mm stiff Z-rotation  |   |   | Incl. pos. 58, 59, 60                    |
| 58                        | 54T00730      | Lamella tensioner 110 mm soft Z-rotation   |   |   | Incl. pos. 57, 59, 60                    |
| 58                        | 54T00731      | Lamella tensioner 110 mm medium Z-rotation |   |   | Incl. pos. 57, 59, 60                    |
| 58                        | 54T00732      | Lamella tensioner 110 mm stiff Z-rotation  |   |   | Incl. pos. 57, 59, 60                    |
| 59                        | 54T00730      | Lamella tensioner 110 mm soft Z-rotation   |   |   | Incl. pos. 57, 58, 60                    |
| 59                        | 54T00731      | Lamella tensioner 110 mm medium Z-rotation |   |   | Incl. pos. 57, 58, 60                    |
| 59                        | 54T00732      | Lamella tensioner 110 mm stiff Z-rotation  |   |   | Incl. pos. 57, 58, 60                    |
| 60                        | 27-0479-001   | EYELET                                     |   |   | Package of 10 pcs.                       |
| 61                        | 27-0888       | LOCKING RING                               |   |   |  |
| 62                        | 43E00091      | CONE 110 mm                                |   |   | For S-flex soft                          |
| 62                        | 27-0905-001   | S-FLEX CONE 110 MM STANDARD                |   |   |  |
| 62                        | 27-0905-002   | S-FLEX CONE 110 MM STIFF                   |   |   |  |
| 63                        | 27-0922-101   | S-FLEX BRACKET                             |   |   | For S-flex soft                          |
| 63                        | 27-0922-002   | S-FLEX BRACKET                             |   |   | For S-flex standard                      |
| 63                        | 27-0922-003   | S-FLEX BRACKET                             |   |   | For S-flex stiff                         |
| 63                        | 27-0882-101   | S-Flex Brake 110 mm Soft                   |   |   | Incl. pos. 61, 62                        |
| 63                        | 27-0882-002   | S-Flex Brake 110 mm Standard               |   |   | Incl. pos. 61, 62                        |
| 63                        | 27-0882-003   | S-Flex Brake 110 mm Stiff                  |   |   | Incl. pos. 61, 62                        |
| 64                        | 27-0727       | PLUG                                       |   |   |  |
| 65                        | 900-9296      | AIR CONNECTOR                              |   |   |  |
| 66                        | 24-0617-001   | VALVE COMPL.                               |   |   | Full threading                           |
| 66                        | 24-0617-002   | VALVE COMPL.                               |   |   | Half threading                           |
| 66                        | 24-0617-011   | VALVE COMPL.                               |   |   | Full threading, polished eyelet          |
| 66                        | 24-0617-012   | VALVE COMPL.                               |   |   | Half threading, polished eyelet          |
| 66                        | 24-0633-001   | COVER WITH EYELET                          |   |   |  |

|  |               |  |                                      |   |
|--|---------------|--|--------------------------------------|---|
| <b>ROJ</b>   | PAGE<br>3 (3) | Spare parts list for<br>Luna X4 8027.41.XXH.<br>Luna X4 8127.41.XXH. | REF. NO.<br>27-897H-<br>2101-03/2442 |  |
| <p>Parts specific only to certain models are identified with □ in the centre column.<br/> Luna X4 Optical sensor = O.<br/> Luna X4 Mechanical sensor = M.<br/> Unmarked positions are common to all feeder models.</p> |               |  |                                      |   |

| POS        | PART NO        | DESCRIPTION                    | O | M | REMARKS   |
|------------|----------------|--------------------------------|---|---|---|
| 66         | 24-0633-011    | COVER WITH EYELET              |   |   | Polished eyelet                                   |
| 67         | 900-0218       | SCREW                          |   |   | Package of 10 pcs.                                |
| 68, 33, 39 | 900-6163-001   | CERAMIC EYELET                 |   |   | Package of 10 pcs.                                |
| 68, 33, 39 | 900-6163-003   | CERAMIC EYELET POLISHED        |   |   | Package of 10 pcs.                                |
| 69         | 24-0462        | MOUNT COMPL.                   |   |   |   |
| 70         | 27-0915-100K-R | MOTOR CPL. SPARE PART KIT      |   |   | Incl. pos. 64, 71, 72, 73, 74, 75, 76, 77, 78, 79 |
| 71         | 900-6160       | CERAMIC EYELET                 |   |   | Package of 10 pcs.                                |
| 72         | 900-4061       | BALL BEARING                   |   |   | Package of 10 pcs.                                |
| 73         | 900-9314       | KEY                            |   |   | Package of 10 pcs.                                |
| 74         | 27-0935-R      | ROTOR CPL. SPARE PART KIT      |   |   | Incl. pos. 71, 72, 73, 77, 78, 79                 |
| 75         | 27-0816-R      | MAGNET FLANGE                  |   |   |   |
| 76         | 900-0624       | SCREW                          |   |   | Package of 10 pcs.                                |
| 77, 82, 85 | 900-4064       | BALL BEARING                   |   |   | Package of 10 pcs.                                |
| 78         | 900-9017       | CIRCLIP                        |   |   | Package of 10 pcs.                                |
| 79         | 900-9014       | CIRCLIP                        |   |   | Package of 10 pcs.                                |
| 80         | 27-0708-002    | WINDING DISC COMPL.            |   |   |   |
| 81         | 24-0174        | TREADING NEEDLE                |   |   |   |
| 82, 77, 85 | 900-4064       | BALL BEARING                   |   |   |   |
| 83         | 28-0093        | MAGNET RING INCL BALL BEARINGS |   |   | Incl. pos. 82, 84, 85                             |
| 84         | 27-0108        | SPACER                         |   |   |   |
| 85, 77, 82 | 900-4064       | BALL BEARING                   |   |   |   |
| 86         | 900-5197       | CABLE TIE                      |   |   | Package of 10 pcs.                                |
| 87         | 28-0090-R      | BELLOWS WITH RING              |   |   | Incl. pos. 86, 88                                 |
| 88         | 28-0090-R      | BELLOWS WITH RING              |   |   | Incl. pos. 86, 87                                 |
| 89         | 27-0393        | WASHER                         |   |   |   |
| 90         | 28-0089-003    | INCLINED HUB ASSEMBLY KIT      |   |   | Incl. pos. 89,95, 96, 97                          |
| 91, 94     | 900-4063       | BALL BEARING                   |   |   | Package of 10 pcs.                                |
| 92         | 27-0330-000    | TUMBLE CYLINDER COMPL.         |   |   | Incl. pos. 91, 93, 94                             |
| 93         | 120-0024       | SPACER                         |   |   |   |
| 94, 91     | 900-4063       | BALL BEARING                   |   |   | Package of 10 pcs.                                |
| 95         | 28-0089-003    | INCLINED HUB ASSEMBLY KIT      |   |   | Incl. pos. 89, 90, 96, 97                         |
| 96         | 28-0089-003    | INCLINED HUB ASSEMBLY KIT      |   |   | Incl. pos. 89, 90, 95, 97                         |
| 97         | 120-0042       | NUT                            |   |   |   |
| 98         | 900-0153       | SCREW                          |   |   | Package of 10 pcs.                                |
| 99         | 27-0078        | BELLOWS                        |   |   |   |
| 100        | 900-0327-001   | SCREW                          |   |   | Package of 10 pcs.                                |
| 101        | 900-9055       | CIRCLIP                        |   |   | Package of 10 pcs.                                |
| 102        | 27-0361-012    | SPOOL BODY                     |   |   |   |
| 103        | 27-0219        | YARN BREAK MIRROR              | □ |   |   |
| 104        | 900-0327-001   | SCREW                          | □ |   | Package of 10 pcs.                                |
| 105        | 27-0921        | INSERT                         |   | □ |   |
| 106        | 900-0494       | SCREW                          | □ |   | Package of 10 pcs.                                |
| 107        | 27-0693        | REFLECTOR                      | □ |   |   |
| 108        | 28-0091-R      | S/Z BUTTON ASSEMBLY KIT        |   |   | Incl. pos. 101, 109                               |
| 109        | 28-0091-R      | S/Z BUTTON ASSEMBLY KIT        |   |   | Incl. pos. 101, 108                               |
| 110        | 27-0158        | BALANCE WEIGHT                 |   |   |   |
| 111        | 28-0092-R      | SCREW WITH WASHER              |   |   | Incl. pos. 112                                    |
| 112        | 28-0092-R      | SCREW WITH WASHER              |   |   | Incl. pos. 111                                    |
| 113        | 27-0160        | CONE                           |   |   |   |
|            |                |                                |   |   |   |
|            |                |                                |   |   |   |
|            |                |                                |   |   |   |