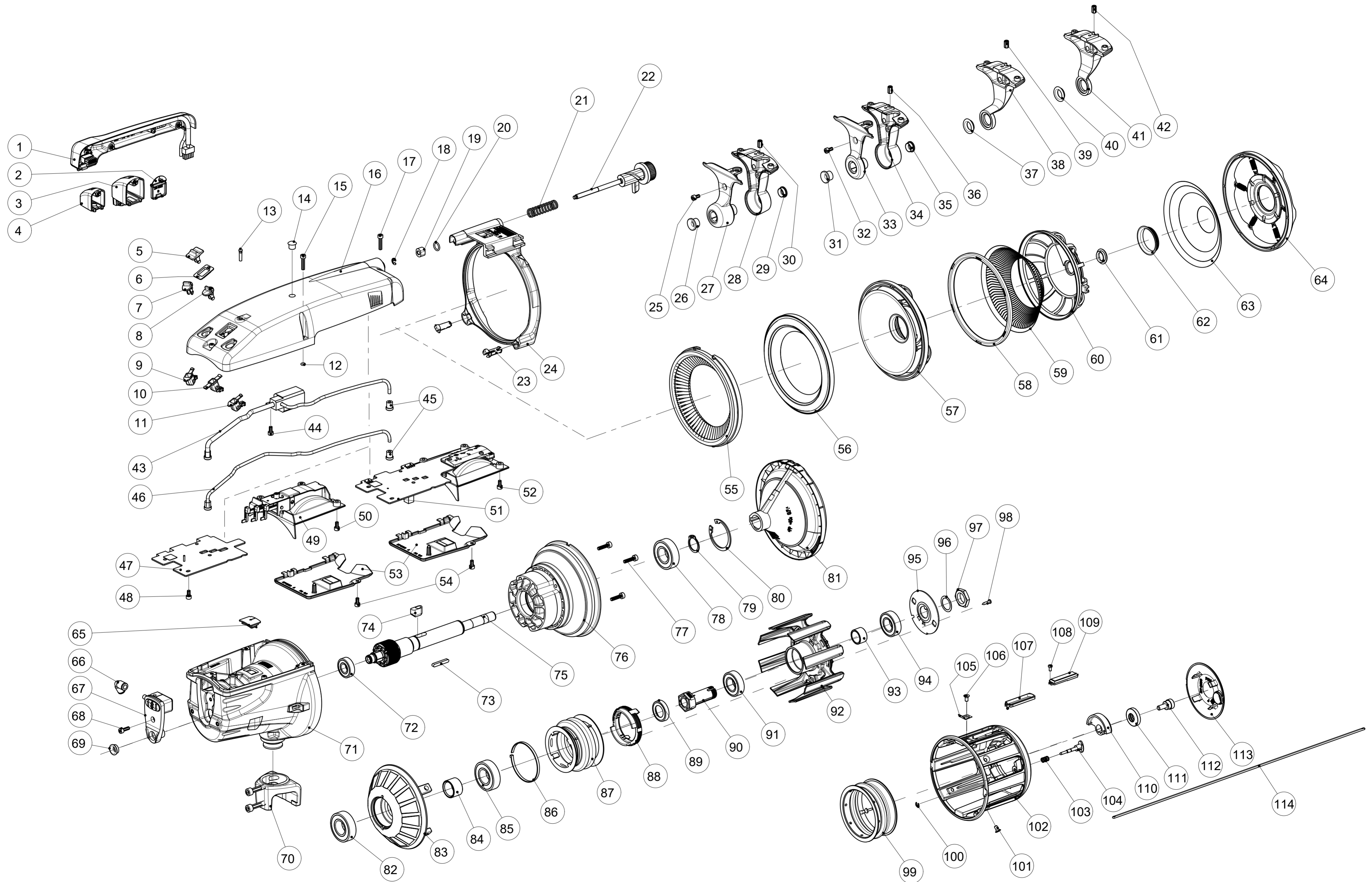




7027/7127 Luna X3 - Exploded view




ROJ [®]	PAGE 1 (3)	Spare parts list for Luna X3 7027-.20/21/22/23/24-.XXE. Luna X3 7127-.20/21/22/23/24-.XXE.	REF. NO. 27-897F- 2001-08/2003	
<p>Parts specific only to certain models are identified with □ in the centre column. Luna X3 Optical sensor = O. Luna X3 Mechanical sensor = M. Unmarked positions are common to all feeder models.</p>				

POS	PART NO	DESCRIPTION	O	M	REMARKS
1	27.0893.001	CABLE CHANNEL			
2	24.0611	CABLE COVER			
3	24.0803.1750	CONNECTION CABLE			
3	24.0803.3000	CONNECTION CABLE			Not valid for CAN communication
3	24.0803.5000	CONNECTION CABLE			Not valid for CAN communication
4	24.0653.R	CABLE COVER ACCESSORIES			
5	24.0721.R	SWITCH ON/OFF COMPL.			Incl. pos. 6, 10
6	24.0721.R	SWITCH ON/OFF COMPL.			Incl. pos. 5, 10
7	24.0720.R	SWITCH S/Z COMPL.			Incl. pos. 9
8	24.0719.R	SWITCH MAX SPEED COMPL		□	Incl. pos. 11
9	24.0720.R	SWITCH S/Z COMPL.			Incl. pos. 7
10	24.0721.R	SWITCH ON/OFF COMPL.			Incl. pos. 5, 6
11	24.0719.R	SWITCH MAX SPEED COMPL		□	Incl. pos. 8
12	900.9355	O-RING			
13	28.0041	LIGHT GUIDE			
14	900.9375	PLUG		□	
15	900.0260	SCREW			Package of 10 pcs.
16	27.0890.001L.R	TOP COVER COMPL.			Incl. pos. 2, 4-6, 10, 12, 15, 18-24
17	900.0260	SCREW			Package of 10 pcs.
18	900.9055	LOCKING WASHER			
19	27.0895.R	QUICK RELEASE COMPL.			Incl. pos. 18, 20, 21, 22
20	27.0895.R	QUICK RELEASE COMPL.			Incl. pos. 18, 19, 21, 22
21	27.0517	SPRING			
22	27.0895.R	QUICK RELEASE COMPL.			Incl. pos. 18, 19, 20, 21
23	24.0605	SNAP IN CAGE			
24	27.0814.R	BRUSH HOLDER			
25	900.0117	SCREW			Package of 10 pcs.
26	24.0591.001	EYELET			Package of 10 pcs.
27	24.0648.001.R	NOSE 30° COVER			Full threading. Incl. pos. 26
28	24.0590.001L	NOSE 30° COMPLETE			Full threading. Incl. pos. 25, 26, 27, 29, 30
29	900.6163.001	EYELET			Package of 10 pcs.
30	900.0495	SCREW			Package of 10 pcs.
31	24.0591.001	EYELET			Package of 10 pcs.
32	900.0117	SCREW			Package of 10 pcs.
33	24.0649.001	NOSE 42° COVER			Full threading. Incl. pos. 31
34	24.0590.003L	NOSE 42° COMPLETE			Full threading
35	900.6163.001	EYELET			Package of 10 pcs.
36	900.0495	SCREW			Package of 10 pcs.
37	27.0479.001	EYELET			Half and non-threading. Package of 10 pcs.
38	24.0735.001L	NOSE 30°			Half and non-threading. Incl. pos. 37, 39
39	900.0495	SCREW			Package of 10 pcs.
40	27.0479.001	EYELET			Half and non-threading. Package of 10 pcs.
41	24.0585.001L	NOSE 42°			Half and non-threading. Incl. pos. 40, 42
42	900.0495	SCREW			Package of 10 pcs.
43	27.0891	CYLINDER COMPLETE with air tube			
44	900.0117	SCREW			Package of 10 pcs.
45	27.0817	RUBBER NIPPLE			
46	27.0902	AIR TUBE WITH RUBBER NIPPLE			
47	09E00726R00	MOTOR CIRCUIT BOARD		□	Stand alone
47	09E00726R10	MOTOR CIRCUIT BOARD		□	Promatech
47	09E00726R20	MOTOR CIRCUIT BOARD		□	Picanol
47	09E00726R30	MOTOR CIRCUIT BOARD		□	Dornier
47	09E00726R40	MOTOR CIRCUIT BOARD		□	Sultex
47	09E00726R50	MOTOR CIRCUIT BOARD		□	Van de Wiele
47	09E00726R60	MOTOR CIRCUIT BOARD		□	Smit
47	09E00726R70	MOTOR CIRCUIT BOARD		□	Jacob Müller Frick
48	900.0117	SCREW			Package of 10 pcs.
49	28.0054.001	SENSOR COMPLETE		□	Plasma coated version 28.0054.002
50	900.0117	SCREW			Package of 10 pcs.
51	09E00723R00	MOTOR CIRCUIT BOARD		□	Stand alone

ROJ [®]	PAGE 2 (3)	Spare parts list for Luna X3 7027-.20/21/22/23/24-.XXE. Luna X3 7127-.20/21/22/23/24-.XXE.	REF. NO. 27-897F- 2001-08/2003	
Parts specific only to certain models are identified with α in the centre column. Luna X3 Optical sensor = O. Luna X3 Mechanical sensor = M. Unmarked positions are common to all feeder models.				

POS	PART NO	DESCRIPTION	O	M	REMARKS
51	09E00723R10	MOTOR CIRCUIT BOARD	α		Promatech
51	09E00723R20	MOTOR CIRCUIT BOARD	α		Picanol
51	09E00723R30	MOTOR CIRCUIT BOARD	α		Dornier
51	09E00723R40	MOTOR CIRCUIT BOARD	α		Sultex
51	09E00723R50	MOTOR CIRCUIT BOARD	α		Van de Wiele
51	09E00723R60	MOTOR CIRCUIT BOARD	α		Smit
51	09E00723R70	MOTOR CIRCUIT BOARD	α		Jacob Müller Frick
51	09E00822R00	MOTOR CIRCUIT BOARD with HS sensor	α		Stand alone
51	09E00822R10	MOTOR CIRCUIT BOARD with HS sensor	α		Promatech
51	09E00822R20	MOTOR CIRCUIT BOARD with HS sensor	α		Picanol
51	09E00822R30	MOTOR CIRCUIT BOARD with HS sensor	α		Dornier
51	09E00822R40	MOTOR CIRCUIT BOARD with HS sensor	α		Sultex
51	09E00822R50	MOTOR CIRCUIT BOARD with HS sensor	α		Van de Wiele
51	09E00822R60	MOTOR CIRCUIT BOARD with HS sensor	α		Smit
51	09E00822R70	MOTOR CIRCUIT BOARD with HS sensor	α		Jacob Müller Frick
52	900.0117	SCREW			Package of 10 pcs.
53	27.0898	PROTECTION COVER			
54	900.0117	SCREW			Package of 10 pcs.
55	27.0492.005	BRUSH SOFT, natural, straight.			
55	27.0492.105	BRUSH SOFT, natural, z-rotation.			
55	27.0492.205	BRUSH SOFT, natural, s-rotation.			
55	27.0492.002	BRUSH MEDIUM, natural, straight.			
55	27.0492.102	BRUSH MEDIUM, natural, z-rotation.			
55	27.0492.202	BRUSH MEDIUM, natural, s-rotation.			
55	27.0492.006	BRUSH MEDIUM, synthetic, straight.			
55	27.0492.106	BRUSH MEDIUM, synthetic, z-rotation.			
55	27.0492.004	BRUSH STIFF, synthetic, straight.			
55	27.0492.104	BRUSH STIFF, synthetic, z-rotation.			
56	27.0524.001	E-FLEX 30° SOFT			Black colour (Strip only = 27.0438.001)
56	27.0573.102	E-FLEX 30° MEDIUM			Blue colour (Strip only = 27.0438.002)
56	27.0585.002	E-FLEX 30° STIFF			Red colour (Strip only = 27.0438.002)
56	27.0585.103	E-FLEX 30° EXTRA STIFF			Grey colour (Strip only = 27.0438.004)
56	27.0596.001	E-FLEX 42° SOFT			Black colour (Strip only = 27.0541.001)
56	27.0596.102	E-FLEX 42° MEDIUM			Blue colour (Strip only = 27.0541.002)
56	27.0734.002	E-FLEX 42° STIFF			Red colour (Strip only = 27.0541.002)
57	54T00936	M-FLEX soft			Membran only 43E00091R
57	54T00937	M-FLEX medium			Membran only 43E00092R
58	54T00730	LAMELLA BRAKE, soft Z-rotation, Compl.			Incl. pos. 59, 60, 61
58	54T00731	LAMELLA BRAKE, medium Z-rotation, Compl.			Incl. pos. 59, 60, 61
58	54T00732	LAMELLA BRAKE, stiff Z-rotation, Compl.			Incl. pos. 59, 60, 61
59	54T00730	LAMELLA BRAKE, soft Z-rotation, Compl.			Incl. pos. 58, 60, 61
59	54T00731	LAMELLA BRAKE, medium Z-rotation, Compl.			Incl. pos. 58, 60, 61
59	54T00732	LAMELLA BRAKE, stiff Z-rotation, Compl.			Incl. pos. 58, 60, 61
60	54T00730	LAMELLA BRAKE, soft Z-rotation, Compl.			Incl. pos. 58, 59, 61
60	54T00731	LAMELLA BRAKE, medium Z-rotation, Compl.			Incl. pos. 58, 59, 61
60	54T00732	LAMELLA BRAKE, stiff Z-rotation, Compl.			Incl. pos. 58, 59, 61
61	27.0479.001	EYELET			Package of 10 pcs.
62+63+64	27.0882.101	S-FLEX compl. SOFT			
62+63+64	27.0882.002	S-FLEX compl. STANDARD			
62+63+64	27.0882.003	S-FLEX compl. STIFF			
62	28E01088	LOCKING RING			
63	43E00091	CONE SOFT			
63	27.0905.001	CONE STANDARD			
63	27.0905.002	CONE STIFF			
64	27.0922.101	S-FLEX BRACKET compl. SOFT			
64	27.0922.002	S-FLEX BRACKET compl. STANDARD			
64	27.0922.003	S-FLEX BRACKET compl. STIFF			
65	27.0727	GROMMET			
66	900.9296	AIR CONNECTION			

ROJ®	PAGE 3 (3)	Spare parts list for Luna X3 7027-.20/21/22/23/24-.XXE. Luna X3 7127-.20/21/22/23/24-.XXE.	REF. NO. 27-897F- 2001-08/2003	
Parts specific only to certain models are identified with □ in the centre column. Luna X3 Optical sensor = O. Luna X3 Mechanical sensor = M. Unmarked positions are common to all feeder models.				

POS	PART NO	DESCRIPTION	O	M	REMARKS
67	24.0617.001	AIR VALVE for threading			Full threading
67	24.0617.002	AIR VALVE for threading			Half threading
67	24.0633.001	COVER with eyelet			
68	900.0218	SCREW			Package of 10 pcs.
69	900.6163.001	EYELET			Package of 10 pcs.
70	24.0462	MOUNT COMPL.			
71	27.0915.100K.R	KIT - MOTOR COMPL.			Incl. pos. 65, 72, 73, 74, 75, 76, 77, 78, 79, 80
72	900.4061	BEARING			Package of 10 pcs.
73	900.9314	KEY			
74	900.6160	EYELET			Package of 10 pcs.
75	27.0935.01.R	KIT - ROTOR COMPLETE			Incl. pos. 72, 73, 74, 78, 79, 80
76	27.0816.R	MAGNET FLANGE			
77	900.0260	SCREW			Package of 10 pcs.
78	900.4064	BEARING			Package of 10 pcs.
79	900.9017	CIRCLIP			Package of 10 pcs.
80	900.9014	CIRCLIP			Package of 10 pcs.
81	27.0708.002	WINDING DISC COMPL.			
82	900.4064	BEARING			Package of 10 pcs.
83	28.0093	MAGNET RING WITH BEARING			Incl. pos. 82, 84, 85
84	27.0108	SPACER			
85	900.4064	BEARING			Package of 10 pcs.
86	900.5197	CABLE TIE			Package of 10 pcs.
87	28.0090.R	BELLOWS WITH RING			Incl. pos. 86, 88
88	28.0090.R	BELLOWS WITH RING			Incl. pos. 86, 87
89	27.0393	WASHER			
90	28.0089.003	INCLINED HUB WITH S/Z WASHER AND NUT			Incl. pos. 89, 95, 96, 97
91	900.4063	BEARING			Package of 10 pcs.
92	27.0330.000	TUMBLING CYLINDER ASSY.			Incl. pos. 91, 93, 94
93	120.0024	SPACER			
94	900.4063	BEARING			Package of 10 pcs.
95	28.0089.003	INCLINED HUB WITH S/Z WASHER AND NUT			Incl. pos. 89, 90, 96, 97
96	28.0089.003	INCLINED HUB WITH S/Z WASHER AND NUT			Incl. pos. 89, 90, 95, 97
97	120.0042	NUT			
98	900.0153	SCREW			Package of 10 pcs.
99	27.0078	BELLOWS			
100	900.9055	LOCKING WASHER			
101	900.0327.001	SCREW			Package of 10 pcs.
102	27.0361.012	SPOOLBODY			
103	28.0091.R	S/Z BUTTON WITH SPRING			Incl. pos. 100, 104
104	28.0091.R	S/Z BUTTON WITH SPRING			Incl. pos. 100, 103
105	27.0219	YARN BREAK MIRROR	□		
106	900.0327.001	SCREW	□		Package of 10 pcs.
107	27.0921	INSERT		□	
108	900.0494	SCREW	□		Package of 10 pcs.
109	27.0693	MIRROR COMPL.	□		
110	27.0158	BALANCE WEIGHT			
111	28.0092.R	SCREW WITH WASHER			Incl. pos. 112
112	28.0092.R	SCREW WITH WASHER			Incl. pos. 111
113	27.0160	COVER			
114	24.0174	TREADING NEEDLE			

IRO AB RESERVE THE RIGHT TO CHANGE THE CONTENTS WITHOUT PRIOR NOTIFICATION.