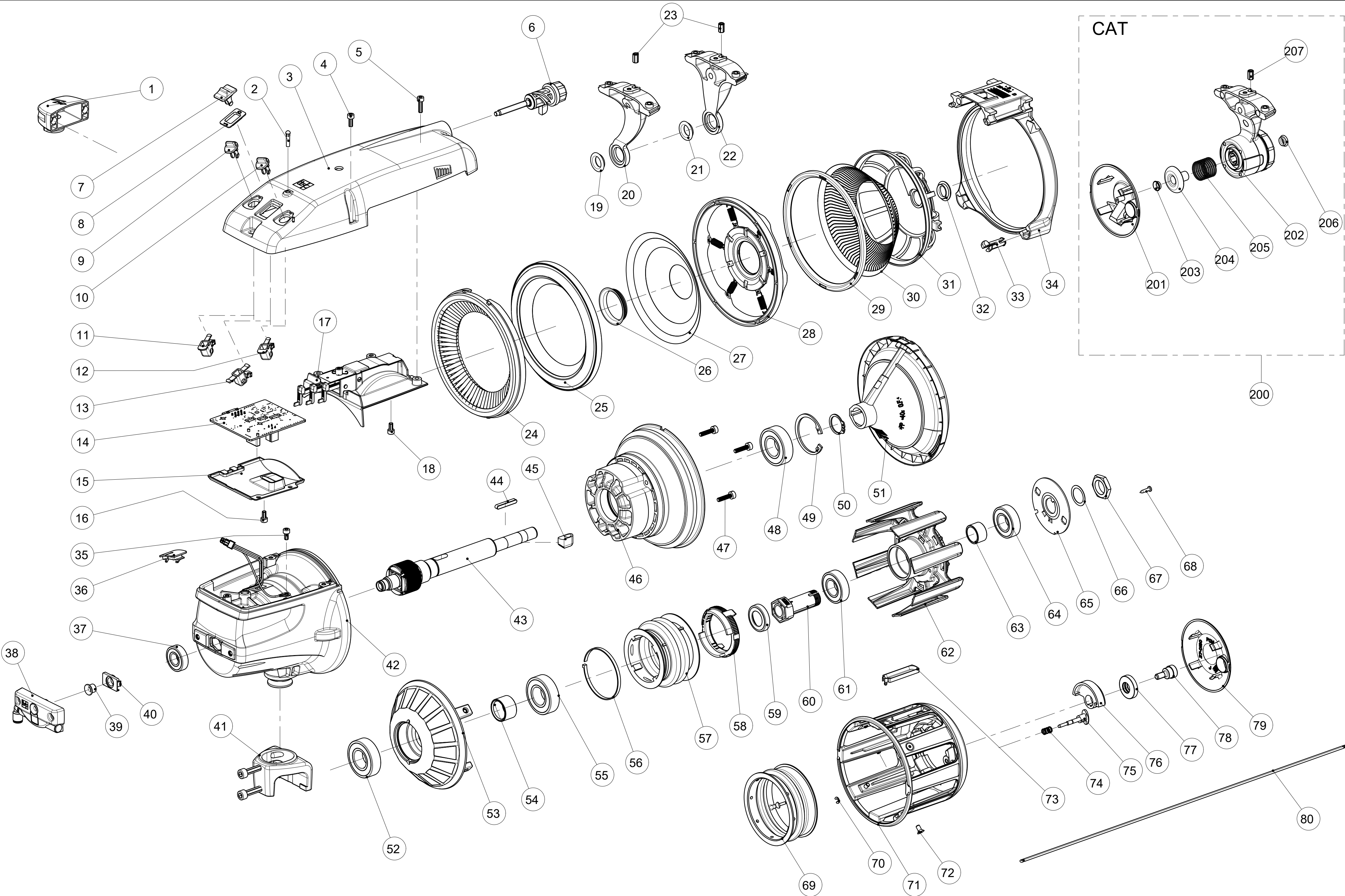


Stella G2 190 - Exploded view







POS	PART NO	DESCRIPTION	REMARKS
1	28-0032-1750	CONNECTION CABLE	For Galaxy control box 20-pin connector
1	28-0032-5000	CONNECTION CABLE	For Galaxy control box 20-pin connector cable length 5 m
1	05R01078	CONNECTION CABLE	For Laser control box 12-pin connector
1	05R01078-5100	CONNECTION CABLE	For Laser control box 12-pin connector cable length 5 m
2	28-0041	LIGHT GUIDE	
3	28-0026-002L	TOP COVER COMPL.	Incl. pos. 2, 6-13
4	900-0075	SCREW	Package of 10 pcs.
5	900-0097	SCREW	Package of 10 pcs.
6	28-0029	QUICK RELEASE COMPL.	
7	28-0086	KIT - ON/OFF SWITCH	Incl. pos. 8, 13
8	28-0086	KIT - ON/OFF SWITCH	Incl. pos. 7, 13
9	28-0088	KIT - S/Z SWITCH	Incl. pos. 11
10	28-0087	KIT - SPEED SWITCH	Incl. pos. 12
11	28-0088	KIT - S/Z SWITCH	Incl. pos. 9
12	28-0087	KIT - SPEED SWITCH	Incl. pos. 10
13	28-0086	KIT - ON/OFF SWITCH	Incl. pos. 7, 8
14	28-9003-0001	MOTOR CIRCUIT BOARD	
15	28-0038	PROTECTION COVER	
16, 18, 35	900-0117	SCREW	Package of 10 pcs.
17	28-0054-001	SENSOR COMPL.	
17	28-0054-002	SENSOR COMPL. Plasma coated	
18, 16, 35	900-0117	SCREW	Package of 10 pcs.
19, 21, 32	27-0479-001	EYELET	Package of 10 pcs.
20	28-0084-001L	NOSE COMPL 30 DEGREE	Incl. pos.19, 23
21, 19, 32	27-0479-001	EYELET	Package of 10 pcs.
22	28-0034-001L	NOSE COMPL 42 DEGREE	Incl. pos. 21, 23
23, 207	900-0495	SCREW	Package of 10 pcs.
24	27-0492-005	BRUSH RING 110 mm Soft Straight	Natural
24	27-0492-105	BRUSH RING 110 mm Soft Z-rotation	Natural
24	27-0492-205	BRUSH RING 110 mm Soft S-rotation	Natural
24	27-0492-002	BRUSH RING 110 mm Medium Straight	Natural
24	27-0492-102	BRUSH RING 110 mm Medium Z-rotation	Natural
24	27-0492-202	BRUSH RING 110 mm Medium S-rotation	Natural
24	27-0492-006	BRUSH RING 110 mm Medium Straight	Synthetic
24	27-0492-106	BRUSH RING 110 mm Medium Z-rotation	Synthetic
24	27-0492-004	BRUSH RING 110 mm Stiff Straight	Synthetic
24	27-0492-104	BRUSH RING 110 mm Stiff Z-rotation	Synthetic
25	27-0524-001	E-FLEX 30° SOFT	(Rapier) Black colour
25	27-0438-001	CONE FLEX BRAKE 110MM 0,08	Strip only for E-flex 30° soft
25	27-0573-102	E-FLEX 30° MEDIUM	(Rapier) Blue colour
25	27-0585-002	E-FLEX 30° STIFF	(Rapier) Red colour
25	27-0438-002	CONE FLEX BRAKE 110MM 0,10	Strip only for E-flex 30° medium & stiff
25	27-0585-103	E-FLEX 30° EXTRA STIFF	(Rapier) Grey colour
25	27-0438-004	CONE FLEX BRAKE 110MM 0,15	Strip only for E-flex 30° extra stiff
25	27-0596-001	E-FLEX 42° SOFT	(Projectile) Black colour
25	27-0541-001	CONE FLEX BRAKE 42 DEGR	Strip only for E-flex 42° soft
25	27-0596-102	E-FLEX 42° MEDIUM	(Projectile) Blue colour
25	27-0734-002	E-FLEX 42° STIFF	(Projectile) Red colour
25	27-0541-002	CONE FLEX BRAKE 42 DEGR	Strip only for E-flex 42° medium & stiff
26	27-0888	LOCKING RING	
27	43E00091	CONE soft	
27	27-0905-001	CONE, standard	
27	27-0905-002	CONE, stiff	
28	27-0882-101	S-FLEX, soft	Including pos. 26, 27
28	27-0882-002	S-FLEX, standard	Including pos. 26, 27
28	27-0882-003	S-FLEX, stiff	Including pos. 26, 27
28	27-0922-101	S-FLEX BRACKET	For S-flex soft
28	27-0922-002	S-FLEX BRACKET	For S-flex standard
28	27-0922-003	S-FLEX BRACKET	For S-flex stiff
29	54T00730	LAMELLA TENSIONER 110mm soft, Z-rot.	Incl. pos. 30, 31, 32
29	54T00731	LAMELLA TENSIONER 110mm medium, Z-rot.	Incl. pos. 30, 31, 32
29	54T00732	LAMELLA TENSIONER 110mm stiff, Z-rot.	Incl. pos. 30, 31, 32



POS	PART NO	DESCRIPTION	REMARKS
30	54T00730	LAMELLA TENSIONER 110mm soft, Z-rot.	Incl. pos. 29, 31, 32
30	54T00731	LAMELLA TENSIONER 110mm medium, Z-rot.	Incl. pos. 29, 31, 32
30	54T00732	LAMELLA TENSIONER 110mm stiff, Z-rot.	Incl. pos. 29, 31, 32
31	54T00730	LAMELLA TENSIONER 110mm soft, Z-rot.	Incl. pos. 29, 30, 32
31	54T00731	LAMELLA TENSIONER 110mm medium, Z-rot.	Incl. pos. 29, 30, 32
31	54T00732	LAMELLA TENSIONER 110mm stiff, Z-rot.	Incl. pos. 29, 30, 32
32, 19, 21	27-0479-001	EYELET	Package of 10 pcs.
33	24-0605	SNAP-IN CAGE	
34	28-0082	BRUSH RING HOLDER	
35, 16, 18	900-0117	SCREW	Package of 10 pcs.
36	27-0727	GROMMET	
37	900-4061	BEARING	Package of 10 pcs.
38	28-0022-001	PNEUMATIC THREADING DEVICE	Optional
39	26A00073	EYELET	Package of 10 pcs.
40	28-0037-001	COVER COMPL.	Incl. pos. 39
41	24-0462	MOUNT COMPL.	
42	28-0096-001K	MOTOR COMPL.	Incl. pos. 35-37, 43, 46-50
43	28-0010-001	ROTOR	
44	900-9314	KEY	Package of 10 pcs.
45	900-6160	EYELET	Package of 10 pcs.
46	27-0816-R	MAGNET FLANGE	
47	900-0624	SCREW	Package of 10 pcs.
48, 52, 55	900-4064	BEARING	Package of 10 pcs.
49	900-9014	CIRCLIP	Package of 10 pcs.
50	900-9017	CIRCLIP	Package of 10 pcs.
51	27-0708-001	WINDING DISC COMPL.	
52, 48, 55	900-4064	BEARING	Package of 10 pcs.
53	28-0093	MAGNET RING COMPL.	Incl. pos. 52, 54, 55
54	27-0108	SPACER	
55, 48, 52	900-4064	BEARING	Package of 10 pcs.
56	900-5197	CABLE TIE	Package of 10 pcs.
57	28-0090-R	BELLOWS COMPLETE	Incl. pos. 56, 58
58	28-0090-R	BELLOWS COMPLETE	Incl. pos. 56, 57
59	27-0393	WASHER	
60	28-0089-002	INCLINED HUB ASSEMBLY KIT	Incl. pos. 59, 65-67
61, 64	900-4063	BEARING	Package of 10 pcs.
62	27-0330-000	TUMBLING CYLINDER ASSY.	Incl. pos. 61, 63, 64
63	120-0024	SPACER	
64, 61	900-4063	BEARING	Package of 10 pcs.
65	28-0089-002	INCLINED HUB ASSEMBLY KIT	Incl. pos. 59, 60, 66, 67
66	28-0089-002	INCLINED HUB ASSEMBLY KIT	Incl. pos. 59, 60, 65, 67
67	120-0042	NUT	
68	900-0153	SCREW	Package of 10 pcs.
69	27-0078	BELLOWS	
70	900-9055	LOCKING WASHER	Package of 10 pcs.
71	27-0361-012	SPOOLBODY	
72	900-0327-001	SCREW	Package of 10 pcs.
73	27-0513	INSERT	
74	28-0091-R	KIT – S/Z BUTTON	Incl. pos. 70, 75
75	28-0091-R	KIT – S/Z BUTTON	Incl. pos. 70, 74
76	27-0158	BALANCE WEIGHT	
77	28-0092-R	WASHER PACKAGE AND SCREW	Incl. pos. 78
78	28-0092-R	WASHER PACKAGE AND SCREW	Incl. pos. 77
79	27-0160	COVER	
80	24-0174	TREADING NEEDLE	
200	28-0044-000L	CAT KIT COMPL. WITH CONE	
201	27-0328-100	CAT CONE COMPL.	
202	28-0036-000L	CAT COMPL.	Incl. pos. 203-205, 206, 207
203	107-5285	EYELET	Package of 10 pcs.
204	107-5284-002	TENSIONER DISC	Incl. pos. 203
205	107-5192-001	SPRING MEDIUM	
205	107-5192-004	SPRING SOFT	Marked green

	PAGE 3 (3)	Spare parts list for Stella G2M 190V 1228.20.XXB	REF. NO. 28-8970- 2001-12/2438	
---	---------------	---	--------------------------------------	--

POS	PART NO	DESCRIPTION	REMARKS
205	107-5192-002	SPRING STIFF	Marked orange
206	900-6101	EYELET	Package of 10 pcs.
207, 23	900-0495	SCREW	Package of 10 pcs.