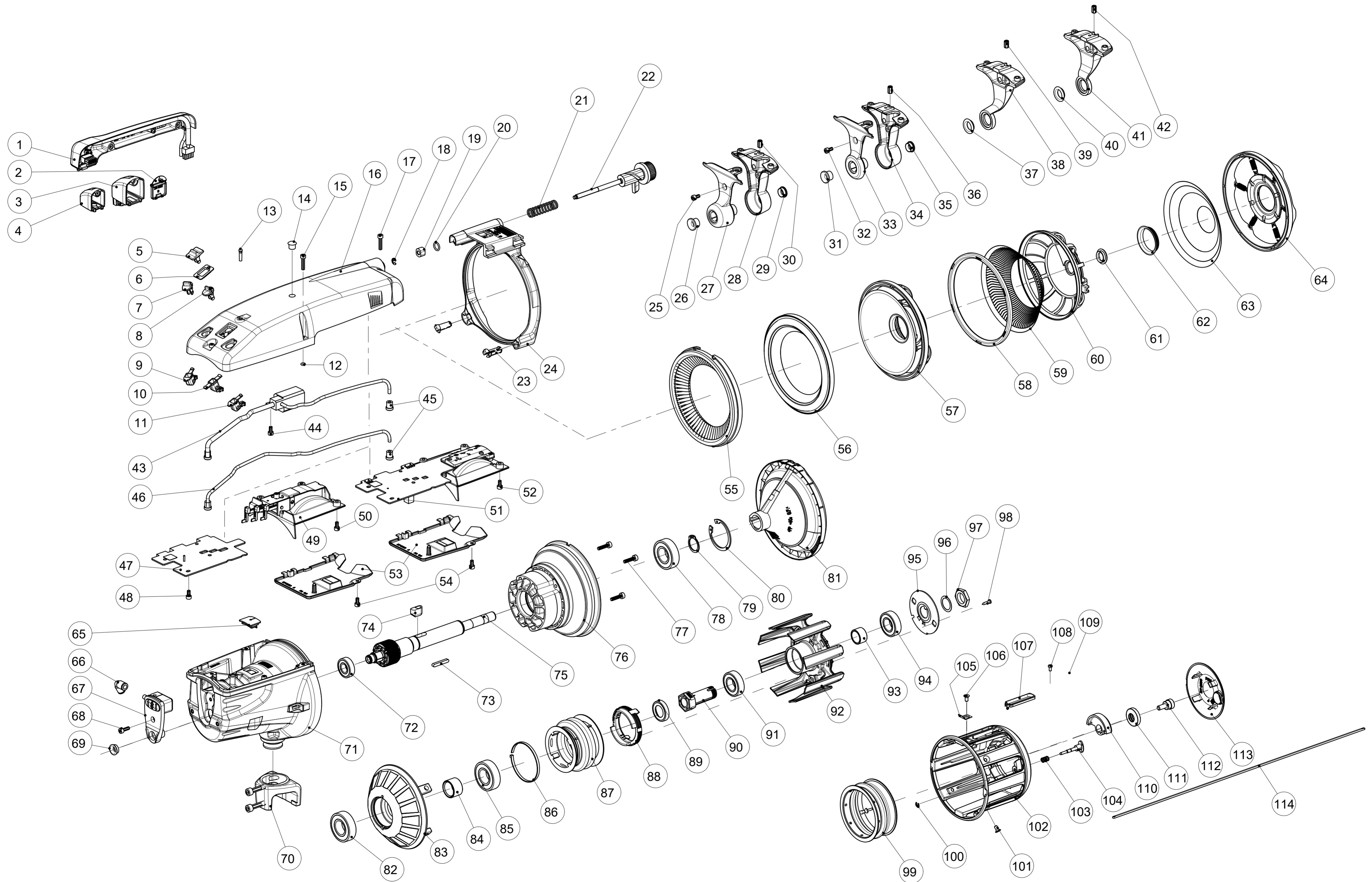


7027/7127 Luna X3 170V - Exploded view



ROJ [®]	PAGE 1 (3)	Spare parts list for Luna X3 170V 7027.41.XXE. Luna X3 170V 7127.41.XXE	REF. NO. 27-897F- 2101-03/2020	
<p>Parts specific only to certain models are identified with ☒ in the centre column. Luna X3 Optical sensor = O. Luna X3 Mechanical sensor = M. Unmarked positions are common to all feeder models.</p>				

POS	PART NO	DESCRIPTION	O	M	REMARKS
1	27.0893.001	CABLE CHANNEL			
2	24.0611	CABLE COVER			
3	24.0803.1750	CONNECTION CABLE			
3	24.0803.3000	CONNECTION CABLE			Not valid for CAN communication
3	24.0803.5000	CONNECTION CABLE			Not valid for CAN communication
4	24.0653.R	CABLE COVER ACCESSORIES			
5	24.0721.R	SWITCH ON/OFF COMPL.			Incl. pos. 6, 10
6	24.0721.R	SWITCH ON/OFF COMPL.			Incl. pos. 5, 10
7	24.0720.R	SWITCH S/Z COMPL.			Incl. pos. 9
8	24.0719.R	SWITCH MAX SPEED COMPL		☒	Incl. pos. 11
8	900.5531	GROMMET	☒		
9	24.0720.R	SWITCH S/Z COMPL.			Incl. pos. 7
10	24.0721.R	SWITCH ON/OFF COMPL.			Incl. pos. 5, 6
11	24.0719.R	SWITCH MAX SPEED COMPL		☒	Incl. pos. 8
12	900.9355	O-RING			Package of 10 pcs.
13	28.0041	LIGHT DUIDE			
14	900.9375	PLUG	☒		
15, 17, 77	900.0260	SCREW			Package of 10 pcs.
16	27.0890.001L.R	TOP COVER COMPL.			Incl. pos. 2, 4-6, 10, 12, 15, 19-24
17, 15, 77	900.0260	SCREW			Package of 10 pcs.
18, 100	900.9055	LOCKING WASHER			Package of 10 pcs.
19	27.0895.R	QUICK RELEASE COMPL.			Incl. pos. 18, 20, 21, 22
20	27.0895.R	QUICK RELEASE COMPL.			Incl. pos. 18, 19, 21, 22
21	27.0517	SPRING			
22	27.0895.R	QUICK RELEASE COMPL.			Incl. pos. 18, 19, 20, 21
23	24.0605	SNAP IN CAGE			
24	27.0814.R	BRUSH HOLDER			
25, 32, 44, 48, 50, 52, 54	900.0117	SCREW			Package of 10 pcs.
26	24.0591.001	EYELET			Package of 10 pcs.
27	24.0648.001.R	NOSE 30° COVER			Full threading. Incl. pos. 26
28	24.0590.001L	NOSE 30° COMPLETE			Full threading. Incl. pos. 25, 26, 27, 29, 30
29, 35, 69	900.6163.001	EYELET			Package of 10 pcs.
30, 36, 39, 42	900.0495	SCREW			Package of 10 pcs.
31	24.0591.001	EYELET			Package of 10 pcs.
32, 25, 44, 48, 50, 52, 54	900.0117	SCREW			Package of 10 pcs.
33	24.0649.001	NOSE 42° COVER			Full threading. Incl. pos. 31
34	24.0590.003L	NOSE 42° COMPLETE			Full threading. Incl. pos. 31, 32, 33, 35, 36
35, 29, 69	900.6163.001	EYELET			Package of 10 pcs.
36, 30, 39, 42	900.0495	SCREW			Package of 10 pcs.
37, 40, 61	27.0479.001	EYELET			Half and non-threading. Package of 10 pcs.
38	24.0735.001L	NOSE 30°			Half and non-threading. Incl. pos. 37, 39
39, 30, 36, 42	900.0495	SCREW			Package of 10 pcs.
40, 37, 61	27.0479.001	EYELET			Half and non-threading. Package of 10 pcs.
41	24.0585.001L	NOSE 42°			Half and non-threading. Incl. pos. 40, 42
42, 30, 36, 39	900.0495	SCREW			Package of 10 pcs.
43	27.0891	CYLINDER COMPLETE WITH AIR TUBE			
44, 25, 32, 48, 50, 52, 54	900.0117	SCREW			Package of 10 pcs.
45	27.0817	RUBBER NIPPLE			
46	27.0902	AIR TUBE WITH RUBBER NIPPLE			
47	09E00813R10	MOTOR CIRCUIT BOARD		☒	

ROJ [®]	PAGE 2 (3)	Spare parts list for Luna X3 170V 7027.41.XXE. Luna X3 170V 7127.41.XXE	REF. NO. 27-897F- 2101-03/2020	
<p>Parts specific only to certain models are identified with □ in the centre column. Luna X3 Optical sensor = O. Luna X3 Mechanical sensor = M. Unmarked positions are common to all feeder models.</p>				

POS	PART NO	DESCRIPTION	O	M	REMARKS
48, 25, 32, 44, 48, 50, 52, 54	900.0117	SCREW			Package of 10 pcs.
49	28.0054.001	SENSOR COMPLETE		□	
50, 25, 32, 44, 48, 52, 54	900.0117	SCREW			
51	09E00812R10	MOTOR CIRCUIT BOARD	□		
51	09E00830R10	MOTOR CIRCUIT BOARD	□		HS version
52, 25, 32, 44, 48, 50, 54	900.0117	SCREW			Package of 10 pcs.
53	27.0898	PROTECTION COVER			
54, 25, 32, 44, 48, 50, 52	900.0117	SCREW			Package of 10 pcs.
55	27.0492.005	BRUSH SOFT, natural, straight.			
55	27.0492.105	BRUSH SOFT, natural, z-rotation.			
55	27.0492.205	BRUSH SOFT, natural, s-rotation.			
55	27.0492.002	BRUSH MEDIUM, natural, straight.			
55	27.0492.102	BRUSH MEDIUM, natural, z-rotation.			
55	27.0492.202	BRUSH MEDIUM, natural, s-rotation.			
55	27.0492.006	BRUSH MEDIUM, synthetic, straight.			
55	27.0492.106	BRUSH MEDIUM, synthetic, z-rotation.			
55	27.0492.004	BRUSH STIFF, synthetic, straight.			
55	27.0492.104	BRUSH STIFF, synthetic, z-rotation.			
56	27.0524.001	E-FLEX 30° SOFT			Black colour (Strip only = 27.0438.001)
56	27.0573.102	E-FLEX 30° MEDIUM			Blue colour (Strip only = 27.0438.002)
56	27.0585.002	E-FLEX 30° STIFF			Red colour (Strip only = 27.0438.002)
56	27.0585.103	E-FLEX 30° EXTRA STIFF			Grey colour (Strip only = 27.0438.004)
56	27.0596.001	E-FLEX 42° SOFT			Black colour (Strip only = 27.0541.001)
56	27.0596.102	E-FLEX 42° MEDIUM			Blue colour (Strip only = 27.0541.002)
56	27.0734.002	E-FLEX 42° STIFF			Red colour (Strip only = 27.0541.002)
57	54T00936	M-FLEX soft			Membran only 43E00091R
57	54T00937	M-FLEX medium			Membran only 43E00092R
58	54T00730	LAMELLA BRAKE, soft Z-rotation, Compl.			Incl. pos. 59-61
58	54T00731	LAMELLA BRAKE, medium Z-rotation, Compl.			Incl. pos. 59-61
58	54T00732	LAMELLA BRAKE, stiff Z-rotation, Compl.			Incl. pos. 59-61
59	54T00730	LAMELLA BRAKE, soft Z-rotation, Compl.			Incl. pos. 58, 60, 61
59	54T00731	LAMELLA BRAKE, medium Z-rotation, Compl.			Incl. pos. 58, 60, 61
59	54T00732	LAMELLA BRAKE, stiff Z-rotation, Compl.			Incl. pos. 58, 60, 61
60	54T00730	LAMELLA BRAKE, soft Z-rotation, Compl.			Incl. pos. 58, 59, 61
60	54T00731	LAMELLA BRAKE, medium Z-rotation, Compl.			Incl. pos. 58, 59, 61
60	54T00732	LAMELLA BRAKE, stiff Z-rotation, Compl.			Incl. pos. 58, 59, 61
61, 37, 40	27.0479.001	EYELET			Package of 10 pcs.
62+63+64	27.0882.101	S-FLEX compl. SOFT			
62+63+64	27.0882.002	S-FLEX compl. STANDARD			
62+63+64	27.0882.003	S-FLEX compl. STIFF			
62	27.0888	LOCKING RING			
63	43E00091	CONE SOFT			
63	27.0905.001	CONE STANDARD			
63	27.0905.002	CONE STIFF			
64	27.0922.101	S-FLEX BRACKET compl.SOFT			
64	27.0922.002	S-FLEX BRACKET compl. STANDARD			
64	27.0922.003	S-FLEX BRACKET compl. STIFF			
65	27.0727	GROMMET			
66	900.9296	AIR CONNECTION			
67	24.0617.001	AIR VALVE for threading			Full threading. Incl. pos. 69
67	24.0617.002	AIR VALVE for threading			Half threading. Incl. pos. 69
67	24.0633.001	COVER with eyelet			Incl. pos. 69
68	900.0218	SCREW			Package of 10 pcs.
69, 29, 35	900.6163.001	EYELET			Package of 10 pcs.

