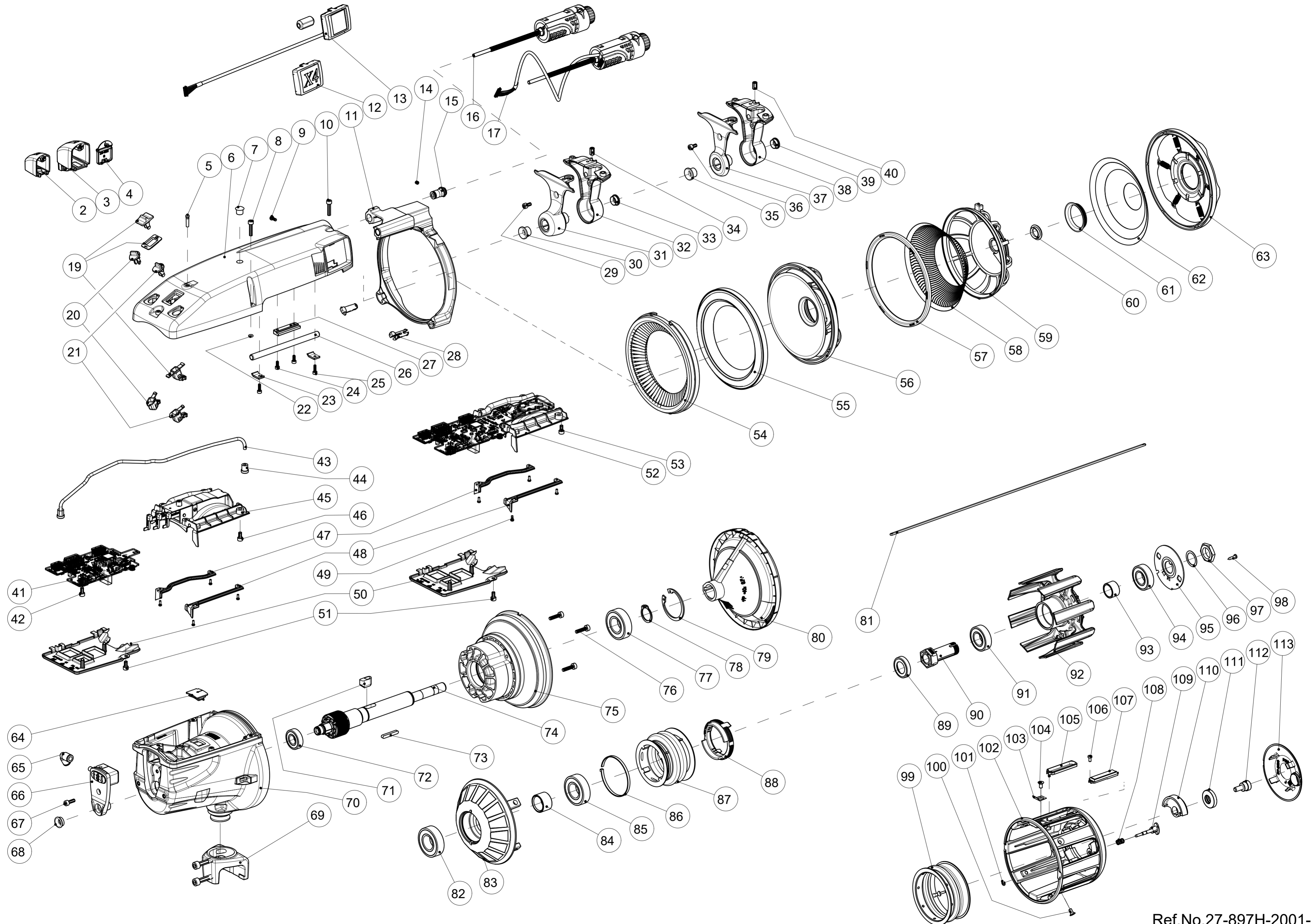




8027/8127 Luna X4 290V - Exploded view




ROJ	PAGE 1 (3)	Spare parts list for Luna X4 8027-.20/21/22/23/24/25/28/32-.XXF. Luna X4 8127-.20/21/22/23/24/25/28/32-.XXF.	REF. NO. 27-897H- 2001-03/2442	
<p>Parts specific only to certain models are identified with □ in the centre column. Luna X4 Optical sensor = O. Luna X4 Mechanical sensor = M. Unmarked positions are common to all feeder models.</p>				

POS	PART NO	DESCRIPTION	O	M	REMARKS
2	24-0653-R	CABLE COVER ACCESSORIES CPL.			
3	24-0803-1750	CONNECTION CABLE			
3	24-0803-3000	CONNECTION CABLE			Not valid for CAN communication
3	24-0803-5000	CONNECTION CABLE			Not valid for CAN communication
4	24-0611	CABLE COVER			
5	28-0041	LIGHT GUIDE			
6	27-0940-001L	TOP COVER X4			
7	900-9375	PLUG	□		Package of 10 pcs.
8, 10	900-0260	SCREW			Package of 10 pcs.
9	900-0651	SCREW			Package of 10 pcs.
10, 8	900-0260	SCREW			Package of 10 pcs.
11	27-0941	BRUSH HOLDER COMPLETE X4			Incl. pos. 14, 15, 28. For TED and Quick release. (For motor module. remove nut)
12	40-0919	DISPLAY DUMMY X4			
13	40-0914	DISPLAY UNIT COMPLETE X4			
14	900-0584	SCREW			Package of 10 pcs.
15	24-0950	NUT X4			Compatible with quick release and TED
15	24-0967	NUT X4			Compatible with motor module
16	40-0904-002	QUICK RELEASE COMPLETE X4			
17	40-0904-001	TED COMPLETE X4			
19	24-0721-R	ON/OFF SWITCH WITH MAGNET HOLD.			
20	24-0720-R	S/Z SWITCH WITH MAGNET HOLDER			
21	24-0719-R	MAX/MIN HANDLE W. MAGNET HOLDER		□	
22	900-9355	O-RING			Package of 10 pcs.
23	24-0953	CLAMP X4			Package of 10 pcs.
24	900-0163	SCREW			Package of 10 pcs.
25	900-0307	SCREW			Package of 10 pcs.
26	24-0952	PIPE X4			
27	24-0951	SUPPORT X4			
28	24-0605	SNAP-IN CAGE			
29, 36, 42, 46, 51, 53	900-0117	SCREW			Package of 10 pcs.
30, 35	24-0591-001	CERAMIC EYELET			Package of 10 pcs.
30, 35	24-0591-002	CERAMIC EYELET POLISHED			Package of 10 pcs.
31	24-0648-001-R	NOSE 30° COVER			Full threading. Incl. Pos. 30
31	24-0648-002	NOSE 30° COVER POLISHED EYELET			Full threading. Incl. Pos. 30
32	24-0590-001L	NOSE 30° COMPLETE			Full threading. Incl. Pos. 29, 30, 31, 33, 34
32	24-0590-002L	NOSE 30° COMPLETE POL. EYELETS			Full threading. Incl. Pos. 29, 30, 31, 33, 34
33, 39, 68	900-6163-001	CERAMIC EYELET			Package of 10 pcs.
33, 39, 68	900-6163-003	CERAMIC EYELET POLISHED			Package of 10 pcs.
34, 40	900-0495	SCREW			Package of 10 pcs.
35, 30	24-0591-001	CERAMIC EYELET			Package of 10 pcs.
35, 30	24-0591-002	CERAMIC EYELET POLISHED			Package of 10 pcs.
36, 29, 42, 46, 51, 53	900-0117	SCREW			Package of 10 pcs.
37	24-0649-001	NOSE 42° COVER			Full threading. Incl. pos. 35
37	24-0649-002	NOSE 42° COVER POLISHED EYELET			Full threading. Incl. pos. 35
38	24-0590-003L	NOSE 42° COMPLETE			Full threading. Incl. Pos. 35, 36, 37, 39, 40
38	24-0590-004L	NOSE 42° COMPLETE POL. EYELETS			Full threading. Incl. Pos. 35, 36, 37, 39, 40
39, 33, 68	900-6163-001	CERAMIC EYELET			Package of 10 pcs.
39, 33, 68	900-6163-003	CERAMIC EYELET POLISHED			Package of 10 pcs.
40, 34	900-0495	SCREW			Package of 10 pcs.
41	09E01015RN0	CIRCUIT BOARD LUNA X4 290V MECH		□	
42, 29, 36, 46, 51, 53	900-0117	SCREW		□	Package of 10 pcs.
43	27-0902	AIR TUBE WITH RUBBER CONNECTOR			
44	27-0817	RUBBER NIPPLE			
45	27-0944-001	SENSOR HOUSING CPL. X4		□	
45	27-0944-002	SENSOR HOUSING CPL. X4		□	Plasma coated sensor feet
46, 29, 36, 42, 51, 53	900-0117	SCREW		□	Package of 10 pcs.

ROJ	PAGE 2 (3)	Spare parts list for Luna X4 8027-.20/21/22/23/24/25/28/32-.XXF. Luna X4 8127-.20/21/22/23/24/25/28/32-.XXF.	REF. NO. 27-897H- 2001-03/2442	
<p>Parts specific only to certain models are identified with □ in the centre column. Luna X4 Optical sensor = O. Luna X4 Mechanical sensor = M. Unmarked positions are common to all feeder models.</p>				

POS	PART NO	DESCRIPTION	O	M	REMARKS
47	27-0959	CABLE COVER KIT			Incl. pos. 48, 49
48	27-0959	CABLE COVER KIT			Incl. pos. 47, 49
49	900-0509	SCREW			Package of 10 pcs.
50	27-0949	PROTECTION COVER			
51, 29, 36, 42, 46, 53	900-0117	SCREW			Package of 10 pcs.
52	09E01017RN0	CIRCUIT BOARD LUNA X4 290V OPTO	□		Incl. sensor
52	09E01017RN0HS	CIRCUIT BOARD LUNA X4 290V OPTO	□		Incl. sensor. Setting, High Sensitivity
53, 29, 36, 42, 46, 51	900-0117	SCREW		□	Package of 10 pcs.
54	27-0492-005	Brush Ring 110 mm Soft Straight			Natural
54	27-0492-105	Brush Ring 110 mm Soft Z-rotation			Natural
54	27-0492-205	Brush Ring 110 mm Soft S-rotation			Natural
54	27-0492-002	Brush Ring 110 mm Medium Straight			Natural
54	27-0492-102	Brush Ring 110 mm Medium Z-rotation			Natural
54	27-0492-202	Brush Ring 110 mm Medium S-rotation			Natural
54	27-0492-006	Brush Ring 110 mm Medium Straight			Synthetic
54	27-0492-106	Brush Ring 110 mm Medium Z-rotation			Synthetic
54	27-0492-004	Brush Ring 110 mm Stiff Straight			Synthetic
54	27-0492-104	Brush Ring 110 mm Stiff Z-rotation			Synthetic
55	27-0524-001	E-FLEX BRAKE 110 mm Soft			30° Black colour
55	27-0438-001	CONE FLEX BRAKE 110 mm 0,08			Strip only for E-flex soft 30°
55	27-0573-102	E-FLEX BRAKE 110 mm Medium			30° Blue colour
55	27-0585-002	E-FLEX BRAKE 110 mm Stiff			30° Red colour
55	27-0438-002	CONE FLEX BRAKE 110 mm 0,10			Strip only for E-flex medium & stiff 30°
55	27-0585-103	E-FLEX BRAKE 110 mm Extra Stiff			30° Grey colour
55	27-0438	CONE FLEX BRAKE 110 mm 0,15			Strip only for E-flex extra stiff 30°
55	27-0596-001	E-FLEX BRAKE 110 mm Soft			42° Black colour
55	27-0541-001	CONE FLEX BRAKE 110 mm 0,08			Strip only for E-flex soft 42°
55	27-0596-102	E-FLEX BRAKE 110 mm Medium			42° Blue colour
55	27-0734-002	E-FLEX BRAKE 110 mm Stiff			42° Red colour
55	27-0541-002	CONE FLEX BRAKE 110 mm 0,10			Strip only for E-flex medium & stiff 42°
56	54T00936	M-FLEX 110 mm Soft			
56	43E00091	CONE 110 mm			Brake element only for M-flex soft
56	54T00937	M-FLEX 110 mm Medium			
56	43E00092R	CONE 110 mm			Brake element only for M-flex medium
57	54T00730	Lamella tensioner 110 mm soft Z-rotation			Incl. pos. 58, 59, 60
57	54T00731	Lamella tensioner 110 mm medium Z-rotation			Incl. pos. 58, 59, 60
57	54T00732	Lamella tensioner 110 mm stiff Z-rotation			Incl. pos. 58, 59, 60
58	54T00730	Lamella tensioner 110 mm soft Z-rotation			Incl. pos. 57, 59, 60
58	54T00731	Lamella tensioner 110 mm medium Z-rotation			Incl. pos. 57, 59, 60
58	54T00732	Lamella tensioner 110 mm stiff Z-rotation			Incl. pos. 57, 59, 60
59	54T00730	Lamella tensioner 110 mm soft Z-rotation			Incl. pos. 57, 58, 60
59	54T00731	Lamella tensioner 110 mm medium Z-rotation			Incl. pos. 57, 58, 60
59	54T00732	Lamella tensioner 110 mm stiff Z-rotation			Incl. pos. 57, 58, 60
60	27-0479-001	EYELET			Package of 10 pcs.
61	27-0888	LOCKING RING			
62	43E00091	CONE 110 mm			For S-flex soft
62	27-0905-001	S-FLEX CONE 110 MM STANDARD			
62	27-0905-002	S-FLEX CONE 110 MM STIFF			
63	27-0922-101	S-FLEX BRACKET			For S-flex soft
63	27-0922-002	S-FLEX BRACKET			For S-flex standard
63	27-0922-003	S-FLEX BRACKET			For S-flex stiff
63	27-0882-101	S-Flex Brake 110 mm Soft			Incl. pos. 61, 62
63	27-0882-002	S-Flex Brake 110 mm Standard			Incl. pos. 61, 62
63	27-0882-003	S-Flex Brake 110 mm Stiff			Incl. pos. 61, 62
64	27-0727	PLUG			
65	900-9296	AIR CONNECTOR			
66	24-0617-001	VALVE COMPL.			Full threading
66	24-0617-002	VALVE COMPL.			Half threading
66	24-0617-011	VALVE COMPL.			Full threading, polished eyelet
66	24-0617-012	VALVE COMPL.			Half threading, polished eyelet
66	24-0633-001	COVER WITH EYELET			

ROJ	PAGE 3 (3)	Spare parts list for Luna X4 8027-.20/21/22/23/24/25/28/32-.XXF. Luna X4 8127-.20/21/22/23/24/25/28/32-.XXF.	REF. NO. 27-897H- 2001-03/2442	
<p>Parts specific only to certain models are identified with □ in the centre column. Luna X4 Optical sensor = O. Luna X4 Mechanical sensor = M. Unmarked positions are common to all feeder models.</p>				

POS	PART NO	DESCRIPTION	O	M	REMARKS
66	24-0633-011	COVER WITH EYELET			Polished eyelet
67	900-0218	SCREW			Package of 10 pcs.
68, 33, 39	900-6163-001	CERAMIC EYELET			Package of 10 pcs.
68, 33, 39	900-6163-003	CERAMIC EYELET POLISHED			Package of 10 pcs.
69	24-0462	MOUNT COMPL.			
70	27-0915-100K-R	MOTOR CPL. SPARE PART KIT			Incl. pos. 64, 71, 72, 73, 74, 75, 76, 77, 78, 79
71	900-6160	CERAMIC EYELET			Package of 10 pcs.
72	900-4061	BALL BEARING			Package of 10 pcs.
73	900.9314	KEY			Package of 10 pcs.
74	27-0935-R	ROTOR CPL. SPARE PART KIT			Incl. pos. 71, 72, 73, 77, 78, 79
75	27-0816-R	MAGNET FLANGE			
76	900-0624	SCREW			Package of 10 pcs.
77, 82, 85	900-4064	BALL BEARING			Package of 10 pcs.
78	900-9017	CIRCLIP			Package of 10 pcs.
79	900-9014	CIRCLIP			Package of 10 pcs.
80	27-0708-002	WINDING DISC COMPL.			
81	24-0174	TREADING NEEDLE			
82, 77, 85	900-4064	BALL BEARING			
83	28-0093	MAGNET RING INCL BALL BEARINGS			Incl. pos. 82, 84, 85
84	27-0108	SPACER			
85, 77, 82	900-4064	BALL BEARING			
86	900-5197	CABLE TIE			Package of 10 pcs.
87	28-0090-R	BELLOWS WITH RING			Incl. pos. 86, 88
88	28-0090-R	BELLOWS WITH RING			Incl. pos. 86, 87
89	27-0393	WASHER			
90	28-0089-003	INCLINED HUB ASSEMBLY KIT			Incl. pos. 89,95, 96, 97
91, 94	900-4063	BALL BEARING			Package of 10 pcs.
92	27-0330-000	TUMBLE CYLINDER COMPL			Incl. pos. 91, 93, 94
93	120-0024	SPACER			
94, 91	900-4063	BALL BEARING			Package of 10 pcs.
95	28-0089-003	INCLINED HUB ASSEMBLY KIT			Incl. pos. 89, 90, 96, 97
96	28-0089-003	INCLINED HUB ASSEMBLY KIT			Incl. pos. 89, 90, 95, 97
97	120-0042	NUT			
98	900-0153	SCREW			Package of 10 pcs.
99	27-0078	BELLOWS			
100, 104	900-0327-001	SCREW			Package of 10 pcs.
101	900-9055	CIRCLIP			Package of 10 pcs.
102	27-0361-012	SPOOL BODY			
103	27-0219	YARN BREAK MIRROR	□		
104, 100	900-0327-001	SCREW	□		Package of 10 pcs.
105	27-0921	INSERT		□	
106	900-0494	SCREW	□		Package of 10 pcs.
107	27-0693	REFLECTOR	□		
108	28-0091-R	S/Z BUTTON ASSEMBLY KIT			Incl. pos. 101, 109
109	28-0091-R	S/Z BUTTON ASSEMBLY KIT			Incl. pos. 101, 108
110	27-0158	BALANCE WEIGHT			
111	28-0092-R	SCREW WITH WASHER			Incl. pos. 112
112	28-0092-R	SCREW WITH WASHER			Incl. pos. 111
113	27-0160	CONE			