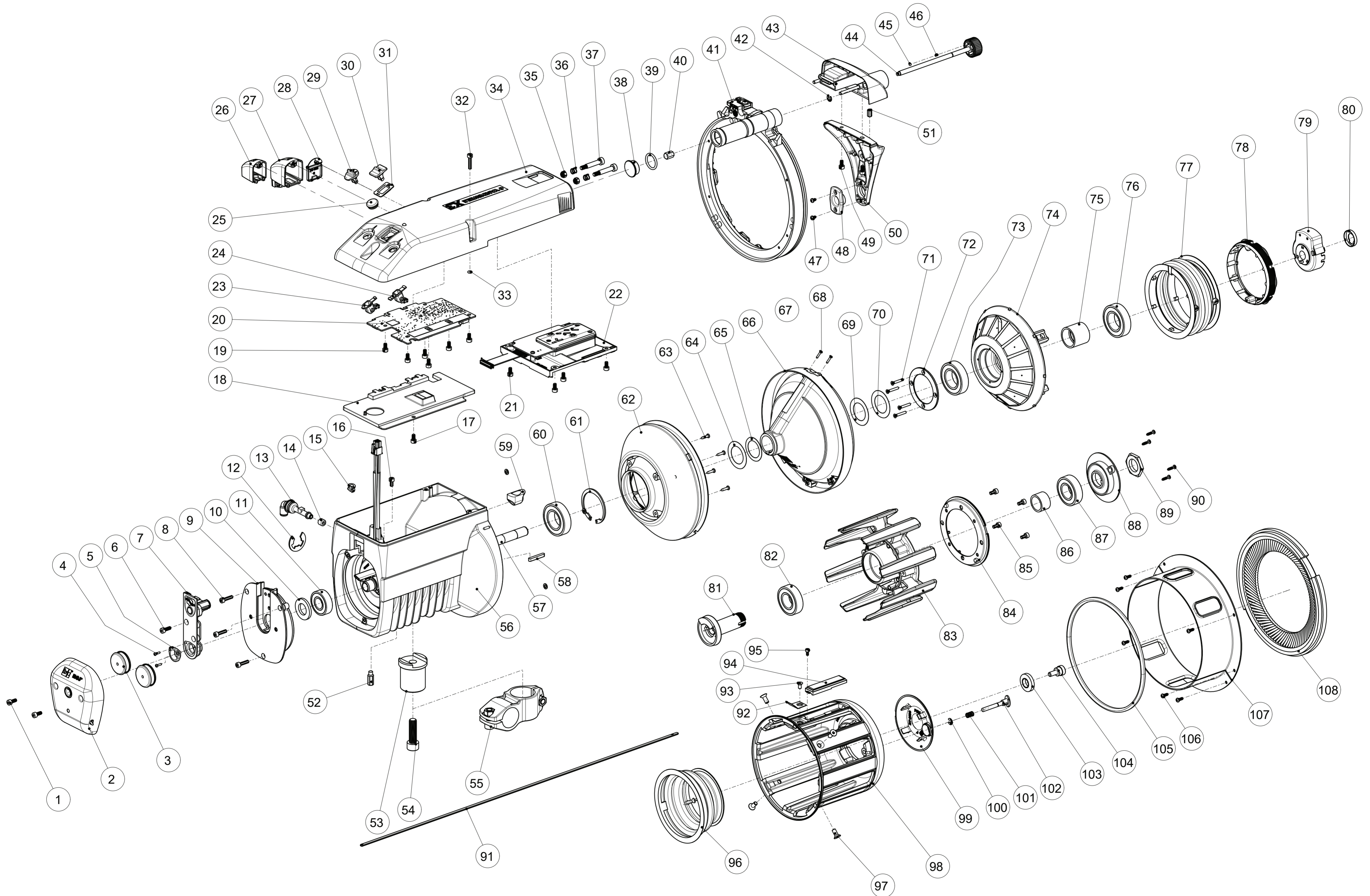


# VDW X3 - Exploded view





POS	PART NO ROJ /IRO	PART NO VdW	DESCRIPTION	REMARKS
1	900.0075		SCREW	Package of 10 pcs.
2	54R00439		TFE 9	Incl. pos. 1, 3
3	27A00029		SPACER	
4	900.0588		SCREW	Package of 10 pcs.
5	24.0787.001		EYELET	Package of 10 pcs.
6	900.0218		SCREW	Package of 10 pcs.
7	24.0790.001		VALVE COMPLETE	
8	900.0187		SCREW	Package of 10 pcs.
9	24.0021.001K		MOTOR FLANGE	
10	24.0795		SEAL WASHER. Felt	
11	900.4069	0.30.84455	BEARING	Package of 10 pcs.
12	900.9364		CIRCLIP	Package of 10 pcs.
13	24.0138	0.30.84195	CONNECTOR COMPL.	Incl. pos. 12, 14
14	24.0173		RUBBER SEAL	
15	24.0371	0.30.84486	RUBBER	
16, 17, 19, 21, 49, 85	900.0117		SCREW	Package of 10 pcs.
17, 16, 19, 21, 49, 85	900.0117		SCREW	Package of 10 pcs.
18	24.0809		PROTECTION COVER	
19, 16, 17, 21, 49, 85	900.0117		SCREW	Package of 10 pcs.
20	09E00805R		MOTOR CIRCUIT BOARD	
21, 16, 17, 19, 49, 85	900.0117		SCREW	Package of 10 pcs.
22	09E00788		SENSOR	
23	24.0811		KIT - S/Z SWITCH	Incl. pos. 29
24	24.0721.R		KIT - ON/OFF SWITCH	Incl. pos. 30, 31
25	900.5531		GROMMET	Package of 10 pcs.
26	24.0653.R		CABLE COVER ACCESSORIES	
27	24.0803.1750		CONNECTION CABLE 1,75 m	
27	24.0803.3000		CONNECTION CABLE 3,00 m	
28	24.0611		CABLE COVER	
29	24.0811		KIT - S/Z SWITCH	Incl. pos. 23
30	24.0721.R		KIT - ON/OFF SWITCH	Incl. pos. 24, 31
31	24.0721.R		KIT - ON/OFF SWITCH	Incl. pos. 24, 30
32	900.0260		SCREW	Package of 10 pcs.
33	900.9355		O-RING	Package of 10 pcs.
34	24.0844.001L		TOP COVER COMPLETE	Incl. pos. 23-26, 28-33, 35, 36, 37
35	900.1016		LOCKING NUT	Package of 10 pcs.
36	24.0862.R		KIT - SHOULDER SCREW & LOCKING NUT	Incl. pos. 35, 37
37	24.0862.R		KIT - SHOULDER SCREW & LOCKING NUT	Incl. pos. 35, 36
38	24.0869		KIT - COVER PISTONG	Incl. pos. 39
39	24.0869		KIT - COVER PISTONG	Incl. pos. 38
40	27.0226		NUT	
41	24.0845.001L		BRUSH HOLDER COMPL.	Incl. pos. 38-40, 42-51
42, 100	900.9058		CIRCLIP	Package of 10 pcs.
43	24.0860.001L.R		KIT - NOSE SUPPORT	Incl. pos. 40, 42, 44-46
44	24.0860.001L.R		KIT - NOSE SUPPORT	Incl. pos. 40, 42, 43, 45, 46
45	900.4002		STEEL BALL	Package of 10 pcs.
46	24.0860.001L.R		KIT - NOSE SUPPORT	Incl. pos. 40, 42, 43-45
47	900.0603		SCREW	Package of 10 pcs.
48	24.0822.001.R		EYELET	Package of 10 pcs.
49, 16, 17, 19, 21, 85	900.0117		SCREW	Package of 10 pcs.
50	24.0859.001L.R		KIT - NOSE WITH CERAMIC	Incl. pos. 47-49, 51
51	900.0495		SCREW	Package of 10 pcs.

POS	PART NO ROJ /IRO	PART NO VdW	DESCRIPTION	REMARKS
52	900.0529		SCREW	Package of 10 pcs.
53	24.0858		KIT - FASTENING AND BAR	Incl. pos. 54, 55
54	24.0858		KIT - FASTENING AND BAR	Incl. pos. 53, 55
55	54M00065		CLAMP COMPL.	
56	24.0806.001K		MOTOR COMPLETE.	Incl. pos. 4-16, 52-54, 57-65, 69, 70
57	24.0899.003.01.R		KIT - ROTOR COMPL.	Incl. pos. 10, 11, 58-61, 64, 65, 69, 70
58	900.9314	0.30.84488	KEY	Package of 10 pcs.
59	24.0778.001		EYELET	Package of 10 pcs.
60, 73	900.4067	0.30.84456	BEARING	Package of 10 pcs.
61	900.9099	0.30.84490	CIRCLIP	Package of 10 pcs.
62	24.0025.002		MAGNET RING	
63	900.0478	0.30.84498	SCREW	Package of 10 pcs.
64	24.0791		SEAL WASHER. Paper small	
65	24.0792		SEAL WASHER. Brass	
66	24.0783.001		WINDING DISC	Incl. pos. 67, 68
67	24.0896.005		KIT - EYELET	Incl. pos. 68. Package of 10 set.
68	900.0623		SCREW	Package of 10 pcs.
69	24.0794		SEAL WASHER. Plastic film	
70	24.0791		SEAL WASHER. Paper, small	
71	900.0649		SCREW	Package of 10 pcs.
72	24.0857		RING FOR ROTARY LOCKING	
73, 60	900.4067	0.30.84456	BEARING	Package of 10 pcs.
74	24.0287.004		MAGNET RING COMPLETE	Incl. pos. 71-73, 75-78
75	24.0058	0.30.84463	SPACER MAGNET RING	
76	900.4065		BEARING	Package of 10 pcs.
77	24.0573.002		BELLOW WITH PLASTIC RING	Incl. pos. 78, 90
78	24.0573.002		BELLOW WITH PLASTIC RING	Incl. pos. 77, 90
79	24.0725		KIT - COUNTER WEIGHT	Incl. pos. 80
80	24.0725		KIT - COUNTER WEIGHT	Incl. pos. 79
81	24.0724.002		INCLINED HUB WITH S/Z RING AND NUT	Incl. pos. 88, 89
82, 87	900.4068	0.30.84459	BEARING	Package of 10 pcs.
83	24.0141	0.30.84464	TUMBLING CYLINDER. Chrome	
83	24.0141.001	0.30.84446	TUMBLING CYLINDER. Plasma	
84	24.0680		FRONT BELLOWS HOLDER	
85, 16, 17, 19, 21, 49	900.0117		SCREW	Package of 10 pcs.
86	24.0059		SPACER	
87, 82	900.4068	0.30.84459	BEARING	Package of 10 pcs.
88	24.0724.002		INCLINED HUB WITH S/Z RING AND NUT	Incl. pos. 81, 89
89	24.0724.002		INCLINED HUB WITH S/Z RING AND NUT	Incl. pos. 81, 88
90	900.0303		SCREW	Package of 10 pcs.
91	24.0174	0.14.03324	THREADING NEEDLE	
92	24.0244	0.30.84485	YARN BREAK MIRROR	
93	900.0327.001		SCREW	Package of 10 pcs.
94	24.0422.002	0.30.84450	REFLECTOR	
95	900.0426		SCREW	Package of 10 pcs.
96	24.0242	0.30.84439	BELLOWS	
97	900.0120	0.30.84484	SCREW	Package of 10 pcs.
98	24.0237	1.87.55551	SPOOL BODY Chromed	
98	24.0320	0.30.84447	SPOOL BODY Plasma	
99	27.0160	0.30.84483	COVER	
100, 42	900.9058		LOCKING WASHER	Package of 10 pcs.
101	24.0723		KIT - S/Z BUTTON	Incl. pos. 100, 102
102	24.0723		KIT - S/Z BUTTON	Incl. pos. 100, 101
103	24.0722.R		WASHER PACKAGE WITH SCREW	Incl. pos. 104
104	24.0722.R		WASHER PACKAGE WITH SCREW	Incl. pos. 103
105	24.0861		ANTI-LOOP kit	Incl. pos. 106, 107



PAGE  
3 (3)

Spare parts list for  
VdW X3 6524.25.XXI

REF. NO.  
24-897M-  
2101-06/2013



POS	PART NO	PART NO	DESCRIPTION	REMARKS
	ROJ /IRO	VdW		
106	900.0576		SCREW	Package of 10 pcs.
107	24.0861		ANTI-LOOP kit	Incl. pos. 105, 106
108	54F00164		FLEX BRAKE	
108	54T00830		BRUSH	