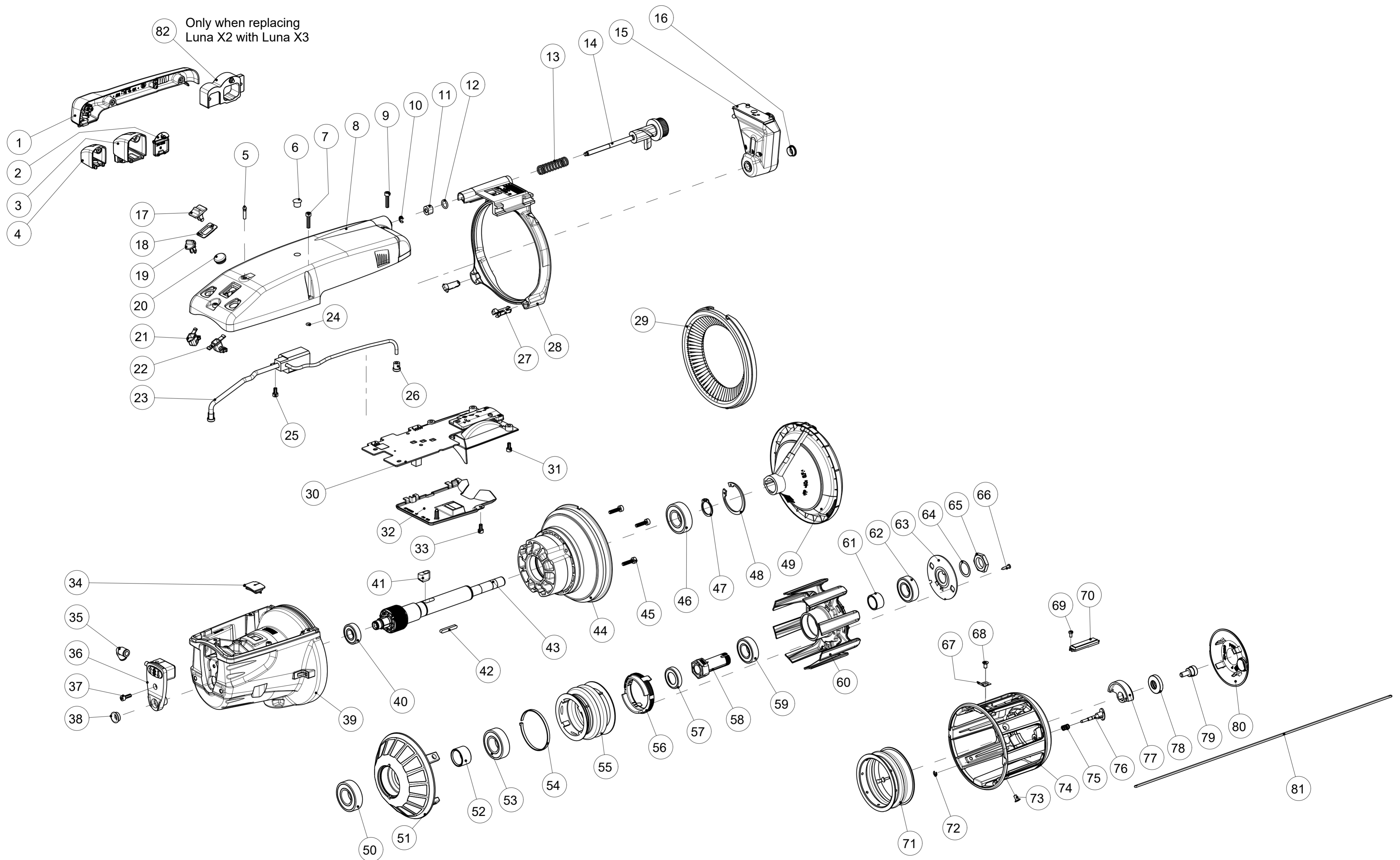





7227.20.XXX Luna X3 Karl Mayer - Exploded view



	PAGE 1 (2)	Spare parts list for Luna X3 Karl Mayer 7227-.20.XXE.	REF. NO. 27-897G- 2001-02/2021	
---	---------------	--	--------------------------------------	---

POS	PART NO	DESCRIPTION	REMARKS
1	27.0893	CABLE CHANNEL	
2	24.0611	CABLE COVER	
3	24.0803.1750	CONNECTION CABLE	
4	24.0653.R	CABLE COVER ACCESSORIES	
5	28.0041	LIGHT GUIDE	
6	900.9375	PLUG	
7,9, 45	900.0260	SCREW	Package of 10 pcs.
8	27.0933.100L.01	TOP COVER	
9, 7, 45	900.0260	SCREW	Package of 10 pcs.
10, 72	900.9055	LOCKING WASHER	Package of 10 pcs.
11	27.0895.R	QUICK RELEASE COMPL.	Incl. pos. 10, 12-14
12	27.0895.R	QUICK RELEASE COMPL.	Incl. pos. 10, 11, 13, 14
13	27.0517	SPRING	
14	27.0895.R	QUICK RELEASE COMPL.	Incl. pos. 10-13
15	52Z00453	NOSE SENSOR 30°	Incl. pos. 16
16, 38	900.6163.001	EYELET	Package of 10 pcs.
17	24.0721.R	KIT - SWITCH ON/OFF COMPL.	Incl. pos. 18, 22
18	24.0721.R	KIT - SWITCH ON/OFF COMPL.	Incl. pos. 17, 22
19	24.0720	KIT - SWITCH S/Z COMPL.	Incl. pos. 21
20	900.5531	GROMMET	
21	24.0720	KIT - SWITCH S/Z COMPL.	Incl. pos. 19
22	24.0721.R	KIT - SWITCH ON/OFF COMPL.	Incl. pos. 17, 18
23	27.0891	CYLINDER COMPLETE with air tube	
24	900.9355	O-RING	Package of 10 pcs.
25, 31, 33	900.0117	SCREW	Package of 10 pcs.
26	27.0817	RUBBER NIPPLE	
27	24.0605	SNAP IN CAGE	
28	27.0814.R	BRUSH HOLDER	
29	27.0492.005	BRUSH SOFT, natural, straight.	
29	27.0492.105	BRUSH SOFT, natural, z-rotation.	
29	27.0492.205	BRUSH SOFT, natural, s-rotation.	
29	27.0492.002	BRUSH MEDIUM, natural, straight.	
29	27.0492.102	BRUSH MEDIUM, natural, z-rotation.	
29	27.0492.202	BRUSH MEDIUM, natural, s-rotation.	
29	27.0492.006	BRUSH MEDIUM, synthetic, straight.	
29	27.0492.106	BRUSH MEDIUM, synthetic, z-rotation.	
29	27.0492.004	BRUSH STIFF, synthetic, straight.	
29	27.0492.104	BRUSH STIFF, synthetic, z-rotation.	
30	09E00910R10	MOTOR CIRCUIT BOARD	
31, 25, 33	900.0117	SCREW	Package of 10 pcs.
32	27.0898	PROTECTION COVER	
33, 25,31	900.0117	SCREW	Package of 10 pcs.
34	27.0727	GROMMET	
35	900.9296	AIR CONNECTION	
36	24.0617.001	AIR VALVE for threading	Incl. pos. 38
37	900.0218	SCREW	Package of 10 pcs.
38, 16	900.6163.001	EYELET	Package of 10 pcs.
39	27.0915.101K.R	MOTOR COMPL.	Incl. pos. 34, 40-48
40	900.4061	BEARING	Package of 10 pcs.
41	900.6160	EYELET	Package of 10 pcs.
42	900.9314	KEY	
43	27.0812	ROTOR COMPL.	
44	27.0816.R	MAGNET FLANGE	
45, 7, 9	900.0260	SCREW	Package of 10 pcs.
46, 50, 53	900.4064	BEARING	Package of 10 pcs.
47	900.9017	CIRCLIP	Package of 10 pcs.
48	900.9014	CIRCLIP	Package of 10 pcs.
49	27.0708.002	WINDING DISC	
50, 46, 53	900.4064	BEARING	Package of 10 pcs.
51	28.0093	MAGNET RING WITH BEARING	Incl. pos. 50, 52, 53
52	27.0108	SPACER	
53, 46, 50	900.4064	BEARING	Package of 10 pcs.
54	900.5197	CABLE TIE	Package of 10 pcs.
55	28.0090.R	BELLOWS WITH RING	Incl. pos. 54, 56
56	28.0090.R	BELLOWS WITH RING	Incl. pos. 54, 55
57	27.0393	WASHER	
58	28.0089.002	INCLINED HUB WITH S/Z WASHER AND NUT	Incl. pos. 57, 63-65

ROJ [®]	PAGE 2 (2)	Spare parts list for Luna X3 Karl Mayer 7227-.20.XXE.	REF. NO. 27-897G- 2001-02/2021	 [®]
-------------------------	---------------	--	--------------------------------------	--

POS	PART NO	DESCRIPTION	REMARKS
59, 62	900.4063	BEARING	Package of 10 pcs.
60	27.0330.000	TUMBLING CYLINDER ASSY.	Incl. pos. 59, 61, 62
61	120.0024	SPACER	
62, 59	900.4063	BEARING	Package of 10 pcs.
63	28.0089.002	INCLINED HUB WITH S/Z WASHER AND NUT	Incl. pos. 57, 58, 64, 65
64	28.0089.002	INCLINED HUB WITH S/Z WASHER AND NUT	Incl. pos. 57, 58, 63, 65
65	120.0042	NUT	
66	900.0153	SCREW	Package of 10 pcs.
67	27.0219	YARN BREAK MIRROR	
68, 73	900.0327.001	SCREW	Package of 10 pcs.
69	900.0494	SCREW	Package of 10 pcs.
70	27.0693	MIRROR COMPL.	
71	27.0078	BELLOWS	
72, 10	900.9055	LOCKING WASHER	Package of 10 pcs.
73, 68	900.0327.001	SCREW	Package of 10 pcs.
74	27.0361.012	SPOOLBODY	
75	28.0091.R	S/Z BUTTON WITH SPRING	Incl. pos. 72, 76
76	28.0091.R	S/Z BUTTON WITH SPRING	Incl. pos. 72, 75
77	27.0158	BALANCE WEIGHT	
78	28.0092.R	SCREW WITH WASHER	Incl. pos. 79
79	28.0092.R	SCREW WITH WASHER	Incl. pos. 78
80	27.0160	COVER	
81	24.0174	TREADING NEEDLE	
82	27.0918	ADAPTOR KIT	