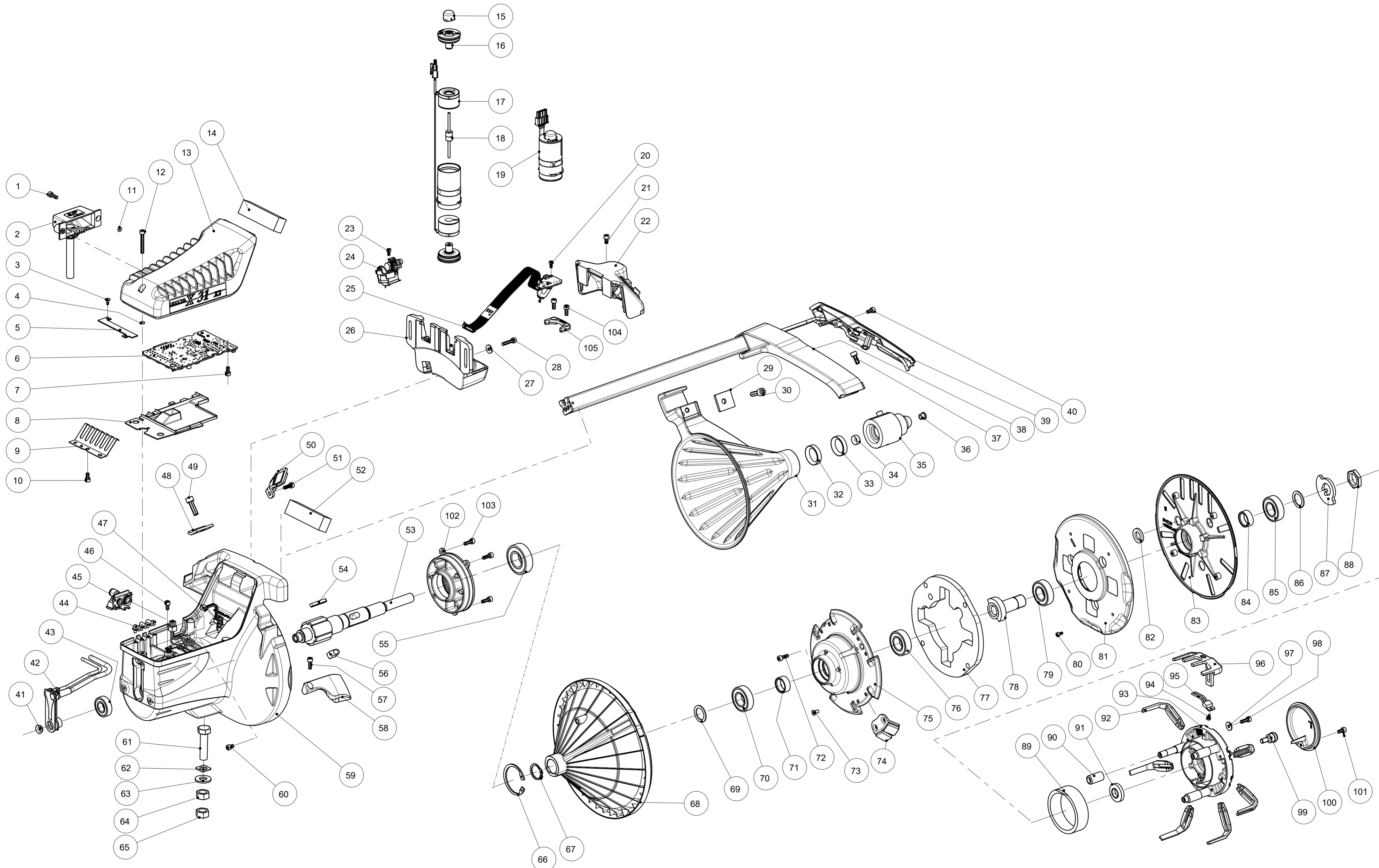




# 2231 X2-Exploded view



PAGE 1 (2)	Spare parts list for Iro IWF 2231F.24.X.	REF. NO. 31-8978-0201-06/2046	
---------------	--	----------------------------------	--

POS	PART NO	DESCRIPTION	REMARKS
1, 51, 57, 72, 98, 103	900.0218	SCREW	Package of 10pcs.
2	27.0923.1200	CABLE 1,2 m	
3	900.9390	PLASTIC PLUG	Package of 10pcs.
4, 11	900.9355	O-RING	Package of 10pcs.
5	31.1290	GAP PAD	
6	31.9130.000	CIRCUIT BOARD	
7, 10, 40, 46, 101	900.0117	SCREW	Package of 10pcs.
8	31.1291	PROTECTION COVER	
9	31.1253	COOLING PLATE	
10, 7, 40, 46, 101	900.0117	SCREW	Package of 10pcs.
11, 4	900.9355	O-RING	Package of 10pcs.
12	900.0447	SCREW	Package of 10pcs.
13	31.1256.002M	CIRCUIT BOARD COVER COMPL.	Incl. pos. 3-10, 12, 14
14, 52	31.1293	SEAL	Package of 10pcs.
15	31.1096	COVER	
16 + 18	31.1393.002	STOPPER PIN WITH FRONTS	Incl. 2 pcs. Pos 16 and 1 piece pos. 18
17	31.1038.002	COILS COMPL.	
18 + 16	31.1393.002	STOPPER PIN WITH FRONTS	Incl. 2 pcs. Pos 16 and 1 piece pos. 18
19	31.1592.005.01	STOPPER MAGNET COMPL.	
20, 80	900.0426	SCREW	Package of 10pcs.
21, 104	900.0075	SCREW	Package of 10pcs.
22	31.1046	COVER	<b>Valid up to feeder S/N 13271647</b>
	31.1355	COVER	<b>Applicable with stopper housing 31.1390.002 (pos.15), valid from feeder S/N 13271647</b>
23	900.0087	SCREW	Package of 10pcs.
24	31.1572	YARN RESERVE SENSOR	
25	31.1068	WINDING SENSOR	
26	31.1390.001	STOPPER HOUSING 2231 X2	<b>Applicable with cover compl. 31.1046 (pos.22), valid up to feeder S/N 13271647</b>
	31.1390.002	STOPPER HOUSING 2231 X2	<b>Applicable with cover compl. 31.1355 (pos.22), valid from feeder S/N 13271647</b>
27, 97	900.2091	WASHER	Package of 10pcs.
28	900.0260	SCREW	Package of 10pcs.
29	31.1220	CLAMP	
30, 49	900.0114	SCREW	Package of 10pcs.
31	31.1321.001	BALLOON CONE KIT	Incl. pos. 29, 30, 32
32 + 33	900.6144	EYELET	Package of 10pcs.
34	31.1198.R	EYELET NOZZLE INSERT	Package of 10pcs.
35	31.1375.002.R	PFT NOZZLE COMPL.	Incl. pos. 33, 34, 36, 37
36	31.1199.R	EYELET NOZZLE OUTLET	Package of 10pcs.
37	900.0081	SCREW	Package of 10pcs.
38	31.1223.003	PFT BAR COMPL.	Incl. pos. 33 – 37, 39, 40, 48, 49
39	31.1209.001.R	ARM COVER COMPL.	
40, 7, 10, 46, 101	900.0117	SCREW	Package of 10pcs.
41	900.6101	EYELET	Package of 10pcs.
42 + 45	31.1371	VALVE WITH AIR CONNECTION HOLDER	Incl. pos. 41
43	900.4061	BEARING	Package of 10pcs.
44	31.1294	PLUG, MOTOR HOUSING	
45 + 42	31.1371	VALVE WITH AIR CONNECTION HOLDER	Incl. pos. 41
46, 7, 10, 40, 101	900.0117	SCREW	Package of 10pcs.

PAGE 2 (2)	Spare parts list for Iro IWF 2231F.24.X.	REF. NO. 31-8978-0201-06/2046	
---------------	--	----------------------------------	--

POS	PART NO	DESCRIPTION	REMARKS
47	31.1312	HALL SENSOR	
48	31.11185	CLAMP CONE BAR	
49, 30	900.0114	SCREW	Package of 10pcs.
50	31.1379	MAGNET HOLDER	
51, 1, 57, 72, 98,103	900.0218	SCREW	Package of 10pcs.
52, 14	31.1293	SEAL	Package of 10pcs.
53	31.1702.002.01R	KIT ROTOR COMPL.	Incl. pos. 43, 54, 55, 56, 66, 67
54	900.9314	KEY	Package of 10pcs.
55	900.4064	BEARING	Package of 10pcs.
56	900.6165	EYELET	Package of 10pcs.
57, 1, 51, 72, 98, 103	900.0218	SCREW	Package of 10pcs.
58	31.1262	YARN GUIDE	
59	31.1703.002.01R	KIT - MOTOR COMPL.	Incl. pos. 41-58, 60-67
60	900.0179	SCREW	Package of 10pcs.
61	900.0555	BOLT	Package of 10pcs.
62	31.0265	SQUARE WASHER	Package of 10pcs.
63	900.2072	WASHER	Package of 10pcs.
64, 65	900.1043	NUT	Package of 10pcs.
66	900.9014	CIRCLIP	Package of 10pcs.
67	900.9017	CIRCLIP	Package of 10pcs.
68	31.1285	WINDING DISC COMPL.	
69, 86	900.2071	WASHER	Package of 10pcs.
70, 76, 79, 85	900.4063	BEARING	Package of 10pcs.
71	31.1257	SPACER	
72, 1, 51, 57, 98, 103	900.0218	SCREW	Package of 10pcs.
73	900.0572	SCREW	Package of 10pcs.
74	31.0219	MAGNET HOLDER COMPL.	
75	31.1273.R	MAGNET RING COMPL.	Incl. pos. 70, 71, 73, 74, 76
76, 70, 79, 85	900.4063	BEARING	Package of 10pcs.
77	31.1289.R	SEAL, MAGNET RING	
78	31.1298	INCLINED HUB	
79, 70, 76, 85	900.4063	BEARING	Package of 10pcs.
80, 20	900.0426	SCREW	Package of 10pcs.
81	31.1276	DISC COVER	
82	31.0904	GROMMET	
83	31.1280.R	OSCILLATING DISC COMPL.	Incl. pos. 79, 84, 85
84	31.1257.R	SPACER	
85, 70, 76, 79	900.4063	BEARING	Package of 10pcs.
86, 69	900.2071	WASHER	Package of 10pcs.
87	31.1282.R	COUNTER WEIGHT	
88	120.0042	NUT	
89	31.1300.R	SEAL, SPOOL BODY	
90	31.0463	SLEEVE	
91 + 99	31.1381	SPRING WASHER AND SCREW	
92	31.0893	FINGER	
93	31.1275.R	SPOOL BODY HUB	
94	900.0506	SCREW	Package of 10pcs.
95	31.1174	BRUSH	
96	31.0402.001	MAGNET FINGER COMPL.	Incl. pos. 94, 95
97, 27	900.2091	WASHER	Package of 10pcs.
98, 1, 51, 57, 72, 103	900.0218	SCREW	Package of 10pcs.
99 + 91	31.1381	SPRING WASHER AND SCREW	
100	31.1281.R	FRONT COVER	
101, 7, 10, 40, 46	900.0117	SCREW	Package of 10pcs.
102	31.1266.R	MOTOR FLANGE	
103, 1, 51, 57, 72, 98	900.0218	SCREW	Package of 10pcs.
104, 21	900.0075	SCREW	
105	31.1022	CLAMP	Package of 10pcs.