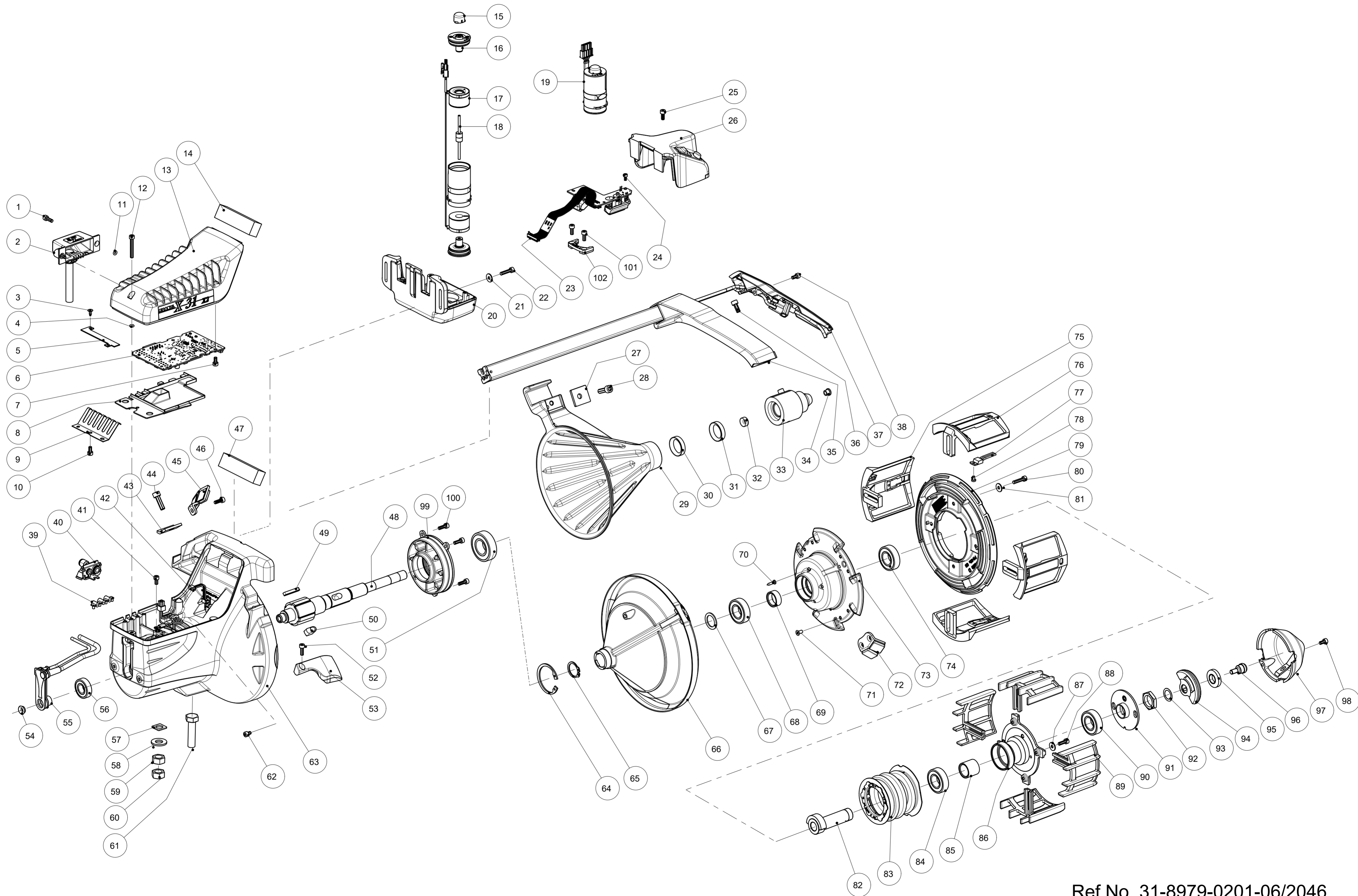



# 1131 X2-Exploded view




PAGE 1 (2)	Spare parts list for Iro IWF 1131F.24.X.	REF. NO. 31-8979-0201-06/2046	
---------------	--	----------------------------------	--

POS	PART NO	DESCRIPTION	REMARKS
1, 46, 52, 88, 100	900.0218	SCREW	Package of 10pcs.
2	27.0923.1200	CABLE 1,2 m	
3	900.9390	PLASTIC PLUG	Package of 10pcs.
4, 11	900.9355	O-RING	Package of 10pcs.
5	31.1290	GAP PAD	
6	31.9130.000	CIRCUIT BOARD	
7, 10, 38, 41, 98	900.0117	SCREW	Package of 10pcs.
8	31.1291	PROTECTING COVER	
9	31.1253	COOLING PLATE	
10, 7, 38, 41, 98	900.0117	SCREW	Package of 10pcs.
11, 4	900.9355	O-RING	Package of 10pcs.
12	900.0447	SCREW	Package of 10pcs.
13	31.1256.001M	CIRCUIT BOARD COVER COMPL.	Incl. pos. 3-10, 12, 14
14, 47	31.1293	SEAL	Package of 10pcs.
15	31.1096	COVER	
16 + 18	31.1393.002	STOPPER PIN WITH FRONTS	Incl. 2 pcs. pos 16 and 1 piece pos. 18
17	31.1038.002	COIL COMPL.	
18 + 16	31.1393.002	STOPPER PIN WITH FRONTS	Incl. 2 pcs. pos 16 and 1 piece pos. 18
19	31.1592.005.01	STOPPER MAGNET COMPL.	Without sensor
19	31.1592.006.01	STOPPER MAGNET COMPL.	With sensor
20	31.1389.001	STOPPER HOUSING 1131 X2	<b>Applicable with cover compl. 31.1047 (pos.21), valid up to feeder S/N 13190601</b>
	31.1389.002	STOPPER HOUSING 1131 X2	<b>Applicable with cover compl. 31.1362 (pos.21), valid from feeder S/N 13190601</b>
21, 81, 87	900.2091	WASHER	Package of 10pcs.
22, 80	900.0260	SCREW	Package of 10pcs.
23	31.1067	SENSOR CIRCUIT BOARD	
24	900.0087	SCREW	Package of 10pcs.
25, 101	900.0075	SCREW	Package of 10pcs.
26	31.1047	COVER COMPL.	<b>Valid up to feeder S/N 13190601</b>
	31.1362	COVER COMPL.	<b>Applicable with stopper housing 31.1389.002 (pos.14), valid from feeder S/N 13190601</b>
27	31.1220	CLAMP	
28, 44	900.0114	SCREW	Package of 10pcs.
29	31.1321.001	BALLOON CONE KIT	Incl. pos. 27, 28, 30
30, 31	900.6144	EYELET	Package of 10pcs.
32	31.1198.R	EYELET NOZZLE INSERT	Package of 10pcs.
33	31.1375.002.R	PFT NOZZLE COMPL.	Incl. pos. 31, 32, 34, 36
34	31.1199.R	EYELET NOZZLE OUTLET	Package of 10pcs.
35	31.1223.003	PFT BAR COMPL.	Incl. pos.31-34, 36-38, 43, 44
36	900.0081	SCREW	Package of 10pcs.
37	31.1209.001.R	ARM COVER COMPL.	
38, 7, 10, 41, 98	900.0117	SCREW	Package of 10pcs.
39	31.1294	PLUG, MOTOR HOUSING	
40+ 55	31.1371	VALVE WITH AIR CONNECTION HOLDER	Incl. pos. 54
41, 7, 10, 38, 98	900.0117	SCREW	Package of 10pcs.
42	31.1312	HALL SENSOR	
43	31.1185	CLAMP CONE BAR	
44, 28	900.0114	SCREW	Package of 10pcs.
45	31.0218	MAGNET HOLDER	
46, 1, 52, 88, 100	900.0218	SCREW	Package of 10pcs.
47, 14	31.1293	SEAL	Package of 10pcs.
48	31.1702.001.01R	KIT ROTOR COMPL.	Incl. pos. 49, 50, 51, 56, 64, 65
49	900.9314	KEY	Package of 10pcs.
50	900.6165	EYELET	Package of 10pcs.
51	900.4064	BEARING	Package of 10pcs.

IRO AB RESERVE THE RIGHT TO CHANGE THE CONTENTS WITHOUT PRIOR NOTIFICATION.

IRO AB HAT DAS RECHT, DEN INHALT OHNE VORHERIGE ANKÜNDIGUNG ZU ÄNDERN.

PAGE 2 (2)	Spare parts list for Iro IWF 1131F.24.X.	REF. NO. 31-8979-0201-06/2046	
---------------	--	----------------------------------	--

POS	PART NO	DESCRIPTION	REMARKS
52, 1, 46, 88, 100	900.0218	SCREW	Package of 10pcs.
53	31.1262	YARN GUIDE COMPLETE	
54	900.6101	EYELET	Package of 10pcs.
55 + 40	31.1371	VALVE WITH AIR CONNECTION HOLDER	Incl. pos. 54
56	900.4061	BEARING	
57	31.0265	SQUARE WASHER	Package of 10pcs.
58	900.2072	WASHER	Package of 10pcs.
59, 60	900.1043	NUT	Package of 10pcs.
61	900.0555	BOLT	Package of 10pcs.
62	900.0179	SCREW	Package of 10pcs.
63	31.1703.001.01R	KIT - MOTOR COMPL.	Incl. pos. 39 – 62, 64, 65
64	900.9014	CIRCLIP	Package of 10pcs.
65	900.9017	CIRCLIP	Package of 10pcs.
66	31.1599.R	WINDING DISC COMPL.	
67	900.2071	WASHER	Package of 10pcs.
68, 74, 84, 90	900.4063	BEARING	Package of 10pcs.
69	31.1257	SPACER	
70	900.0153	SCREW	Package of 10pcs.
71	900.0572	SCREW	Package of 10pcs.
72	31.0219	MAGNET HOLDER COMPL.	
73	31.1273.R	MAGNET RING COMPL.	Incl. pos. 68, 69, 71, 72, 74
74, 68, 84, 90	900.4063	BEARING	Package of 10pcs.
75	31.0779.001	FIXED FINGER	
76	31.1040	MAGNET FINGER COMPL.	
77	31.1174	BRUSH	
78	900.0506	SCREW	Package of 10pcs.
79	31.1259.001.R	SPOOLBODY DISC	
80,22	900.0260	SCREW	Package of 10pcs.
81, 21, 87	900.2091	WASHER	Package of 10pcs.
82	31.0573	INCLINED HUB	
83	31.1303	BELLOWS	
84, 68, 74, 90	900.4063	BEARING	Package of 10pcs.
85	31.0574	SPACER	
86	31.1304.R	FRONT SPOOL BODY HUB COMPL.	Incl. pos. 84, 85, 90
87, 21, 81	900.2091	WASHER	Package of 10pcs.
88, 1, 46, 52, 100	900.0218	SCREW	Package of 10pcs.
89	31.0835	TUMBLING FINGER	
90, 68, 74, 84	900.4063	BEARING	Package of 10pcs.
91	31.1305.R	ADJUSTING WASHER	
92	120.0042	NUT	
93	900.2149	WASHER	Package of 10pcs.
94	31.1320.R	COUNTER WIEGHT	
95 + 96	31.1381	SPRING WASHER AND SCREW	
97	31.0857	FRONT COVER	
98, 7, 10, 38, 41	900.0117	SCREW	Package of 10pcs.
99	31.1266.R	MOTOR FLANGE	
100, 1, 46, 52, 88	900.0218	SCREW	Package of 10pcs.
101, 25	900.0075	SCREW	Package of 10pcs.
102	31.1022	CLAMP	