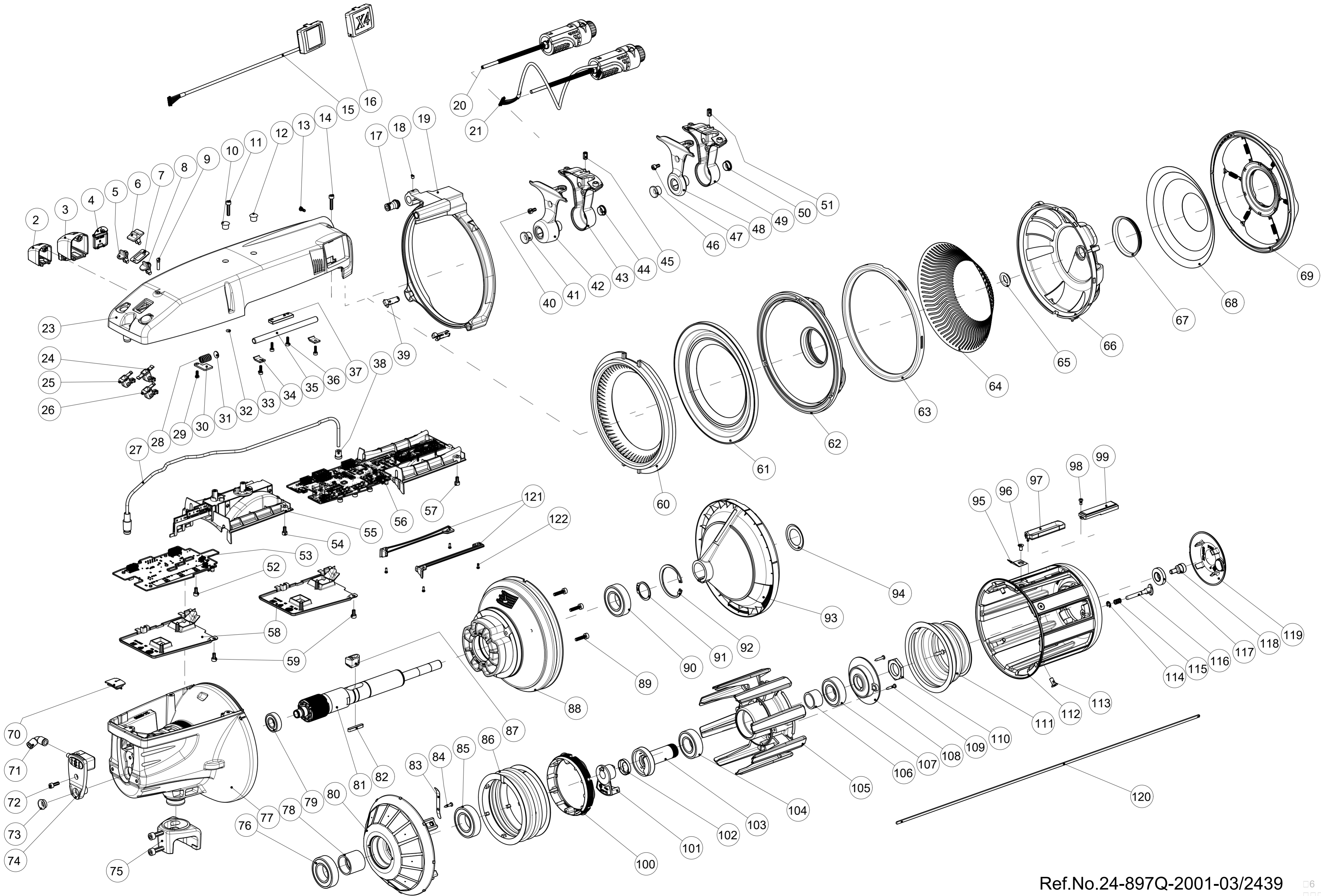




8624/8724 Chrono X4 290V - Exploded view



ROJ	PAGE	Spare parts list for Chrono X4 O 8624-20/21/22/23/24/28/31-XXJ Chrono X4 M 8724-20/21/22/23/24/25/28/31-XXJ	REF. NO. 24-897Q- 2001- 03/2439	
	1 (4)			


Parts specific only to one model are identified with □ in the valid column.
Chrono X4 Optical sensor = O.
Chrono X4 Mechanical sensor = M.
Unmarked positions are common to both feeder models.

POS	PART NO	DESCRIPTION	O	M	REMARKS
2	24-0653-R	CABLE COVER ACCESSORIES CPL.			
3	24-0803-1750	CONNECTION CABLE			
3	24-0803-3000	CONNECTION CABLE			Not valid for CAN communication
3	24-0803-5000	CONNECTION CABLE			Not valid for CAN communication
4	24-0611	CABLE COVER			
5	24-0720-R	S/Z SWITCH WITH MAGNET HOLDER			Incl. pos. 25
6	24-0721-R	ON/OFF SWITCH WITH MAGNET HOLD.			Incl. pos. 7, 24
7	24-0721-R	ON/OFF SWITCH WITH MAGNET HOLD.			Incl. pos. 6, 24
8	24-0719-R	MAX/MIN HANDLE W. MAGNET HOLDER		□	Incl. pos. 26
9	28-0041	LIGHT GUIDE			
10, 12	900-9375	PLUG	□		Package of 10 pcs.
11, 14	900-0260	SCREW			Package of 10 pcs.
12, 10	900-9375	PLUG	□		Package of 10 pcs.
13	900-0651	SCREW			Package of 10 pcs
14, 11	900-0260	SCREW			Package of 10 pcs.
15	40-0914	DISPLAY UNIT COMPLETE X4			
16	40-0919	DISPLAY, DUMMY X4			
17	24-0950	NUT X4			
17	24-0967	NUT X4			For ATC-W motor module
18	900-0584	SCREW			
19	24-0947	BRUSH HOLDER COMPLETE X4			Incl. pos. 17, 18, 39. For TED and Quick release. (For motor module. remove nut)
20	40-0904-002	QUICK RELEASE COMPLETE X4			
21	40-0904-001	TED COMPLETE X4			
23	24-0975-001L	TOP COVER KIT OPTO CHRONO X4	□		Incl. pos. 2, 4, 6, 7, 9, 11, 24, 32,
23	24-0975-002L	TOP COVER KIT MEK CHRONO X4		□	Incl. pos. 2, 4, 6, 7, 9, 11, 24, 32,
24	24-0721-R	ON/OFF SWITCH WITH MAGNET HOLD.			Incl. pos. 6, 7
25	24-0720-R	S/Z SWITCH WITH MAGNET HOLDER			Incl. pos. 5
26	24-0719-R	MAX/MIN HANDLE W. MAGNET HOLDER		□	Incl. pos. 8
27	24-0709	AIR TUBE WITH RUBBER CONNECTOR			For full threading.
28	900-9583	SPRING			
29	900-0700	SCREW			
30	24-0917	COVER X4			
31	24-0916	WASHER X4			
32	900-9355	O-RING			Package of 10 pcs.
33, 36	900-0307	SCREW			Package of 10 pcs.
34	24-0953	CLAMP X4			Package of 10 pcs.
35	24-0952	PIPE X4			
36, 33	900-0307	SCREW			Package of 10 pcs.
37	24-0951	SUPPORT X4			
38	27-0817	RUBBER NIPPLE			
39	24-0605	SNAP-IN CAGE			
40, 47, 52, 54, 57, 59	900-0117	SCREW			Package of 10 pcs.
41, 46	24-0591-001	CERAMIC EYELET			Package of 10 pcs.
41, 46	24-0591-002	CERAMIC EYELET POLISHED			Package of 10 pcs.
42	24-0648-001-R	NOSE 30° COVER			Full threading. Incl. pos. 41
42	24-0648-002	NOSE 30° COVER POLISHED EYELET			Full threading. Incl. pos. 41
43	24-0590-001L	NOSE 30° COMPLETE			Full threading. Incl. pos. 40, 41, 42, 44, 45
43	24-0590-002L	NOSE 30° COMPLETE POL. EYELETS			Full threading. Incl. pos. 40, 41, 42, 44, 45
44, 50, 73	900-6163-001	CERAMIC EYELET			Package of 10 pcs.
44, 50, 73	900-6163-003	CERAMIC EYELET POLISHED			Package of 10 pcs.
45, 51	900-0495	SCREW			Package of 10 pcs.
46, 41	24-0591-001	CERAMIC EYELET			Package of 10 pcs.
46, 41	24-0591-002	CERAMIC EYELET POLISHED			Package of 10 pcs.

ROJ	PAGE	Spare parts list for Chrono X4 O 8624-20/21/22/23/24/28/31-XXJ Chrono X4 M 8724-20/21/22/23/24/25/28/31-XXJ	REF. NO. 24-897Q- 2001- 03/2439	
	2 (4)			

Parts specific only to one model are identified with □ in the valid column.
Chrono X4 Optical sensor = O.
Chrono X4 Mechanical sensor = M.
Unmarked positions are common to both feeder models.

POS	PART NO	DESCRIPTION	O	M	REMARKS
47, 40, 52, 54, 57, 59	900-0117	SCREW			Package of 10 pcs.
48	24-0649-001	NOSE 42° COVER			Full threading. Incl. pos. 46
48	24-0649-002	NOSE 42° COVER POLISHED EYELET			Full threading. Incl. pos. 46
49	24-0590-003L	NOSE 42° COMPLETE			Full threading. Incl. pos. 46, 47, 48, 50, 51
49	24-0590-004L	NOSE 42° COMPLETE POL. EYELETS			Full threading. Incl. pos. 46, 47, 48, 50, 51
50, 44, 73	900-6163-001	CERAMIC EYELET			Package of 10 pcs.
50, 44, 73	900-6163-003	CERAMIC EYELET POLISHED			Package of 10 pcs.
51, 45	900-0495	SCREW			Package of 10 pcs.
52, 40, 47, 54, 57, 59	900-0117	SCREW			Package of 10 pcs.
53	09E01011RN0	CIRCUIT BOARD CHRONO X4 MECH 290V		□	
54, 40, 47, 52, 57, 59	900-0117	SCREW		□	Package of 10 pcs.
55	24-0954-001	SENSOR HOUSING CPL. X4		□	
55	24-0954-002	SENSOR HOUSING CPL. X4		□	Plasma coated sensor feet
56	09E01013RN0	CIRCUIT BOARD CHRONO X4 OPTO 290V	□		Incl. sensor
56	09E01013RN0HS	CIRCUIT BOARD CHRONO X4 OPTO 290V	□		Incl. sensor. Setting, High Sensitivity
57, 40, 47, 52, 54, 59	900-0117	SCREW		□	Package of 10 pcs.
58	24-0961	PROTECTION COVER X4			
59, 40, 47, 52, 54, 57	900-0117	SCREW			Package of 10 pcs.
60	24-0261-001	BRUSH RING 135 mm Soft Z-rotation			Natural
60	24-0261-201	BRUSH RING 135 mm Soft Straight			Natural
60	54T00774	BRUSH RING 135 mm Medium Z-rotation			Natural
60	54T00775	BRUSH RING 135 mm Medium S-rotation			Natural
60	54T00773	BRUSH RING 135 mm Medium Straight			Natural
60	24-0261-004	BRUSH RING 135 mm Medium Z-rotation			Synthetic
60	24-0261-104	BRUSH RING 135 mm Medium S-rotation			Synthetic
60	24-0261-204	BRUSH RING 135 mm Medium Straight			Synthetic
60	24-0261-005	BRUSH RING 135 mm Stiff Z-rotation			Synthetic
60	24-0261-105	BRUSH RING 135 mm Stiff S-rotation			Synthetic
60	24-0261-205	BRUSH RING 135 mm Stiff Straight			Synthetic
60	54T00783	BRUSH RING 135 mm X-stiff Z-rotation			Synthetic
60	54T00784	BRUSH RING 135 mm X-stiff S-rotation			Synthetic
60	54T00782	BRUSH RING 135 mm X-stiff Straight			Synthetic
60	24-0261-007	BRUSH RING 135 mm Stiff Z-rotation			Synthetic Long bristles Rec. for glass fibre
60	24-0261-107	BRUSH RING 135 mm Stiff, S-rotation			Synthetic Long bristles Rec. for glass fibre
60	24-0261-207	BRUSH RING 135 mm Stiff Straight			Synthetic Long bristles Rec. for glass fibre
61	24-0252-001	E-FLEX BRAKE 135 mm Soft			
61	24-0253-001	CONE FLEXBRAKE 135 mm 0,08			Strip only for E-flex soft
61	24-0252-102	E-FLEX BRAKE 135 mm Medium			
61	24-0253-002	CONE FLEXBRAKE 135 mm 0,10			Strip only for E-flex medium
61	24-0281-003	E-FLEX BRAKE 135 mm Stiff			
61	24-0281-103	E-FLEX BRAKE 135 mm X-stiff			
61	24-0253-007	CONE FLEXBRAKE 135 mm 0,15			Strip only for E-flex stiff & X-stiff
62	54T01059	M-FLEX, SOFT			
62	54T01060	M-FLEX, MEDIUM			
62	54T01061	M-FLEX, STIFF			
63	24-0702-001	LAMELLA TENSIONER 135 mm Soft Z-rot. incl. nose piece			Incl. pos. 64, 65, 66, 48
63	24-0702-002	LAMELLA TENSIONER 135 mm Medium Z-rot. incl. nose piece			Incl. pos. 64, 65, 66, 48
63	24-0702-003	LAMELLA TENSIONER 135 mm Stiff Z-rot. incl. nose piece			Incl. pos. 64, 65, 66, 48

ROJ	PAGE	Spare parts list for Chrono X4 O 8624-20/21/22/23/24/28/31-XXJ Chrono X4 M 8724-20/21/22/23/24/25/28/31-XXJ	REF. NO. 24-897Q- 2001- 03/2439	
	3 (4)			


Parts specific only to one model are identified with α in the valid column.

Chrono X4 Optical sensor = O.

Chrono X4 Mechanical sensor = M.

Unmarked positions are common to both feeder models.

POS	PART NO	DESCRIPTION	O	M	REMARKS
64	24-0702-001	LAMELLA TENSIONER 135 mm Soft Z-rot. incl. nose piece			Incl. pos. 63, 65, 66, 48
64	24-0702-002	LAMELLA TENSIONER 135 mm Medium Z-rot. incl. nose piece			Incl. pos. 63, 65, 66, 48
64	24-0702-003	LAMELLA TENSIONER 135 mm Stiff Z-rot. incl. nose piece			Incl. pos. 63, 65, 66, 48
65	27-0479-001	CERAMIC EYELET			Package of 10 pcs.
66	24-0702-001	LAMELLA TENSIONER 135 mm Soft Z-rot. incl. nose piece			Incl. pos. 63, 64, 65, 48
66	24-0702-002	LAMELLA TENSIONER 135 mm Medium Z-rot. incl. nose piece			Incl. pos. 63, 64, 65, 48
66	24-0702-003	LAMELLA TENSIONER 135 mm Stiff Z-rot. incl. nose piece			Incl. pos. 63, 64, 65, 48
67	24-0662	LOCKING RING			
68	43E00088	CONE CPL for S-flex 135 mm Soft			
68	24-0727-001	S-FLEX CONE 135 mm Standard			
68	24-0727-002	S-FLEX CONE 135 mm Stiff			
69	24-0786-101	S-FLEX BRACKET Soft			
69	24-0786-002	S-FLEX BRACKET Standard			
69	24-0786-003	S-FLEX BRACKET Stiff			
69	24-0699-101	S-FLEX BRAKE 135 mm Soft			Incl. pos. 67, 68
69	24-0699-002	S-FLEX BRAKE 135 mm Standard			Incl. pos. 67, 68
69	24-0699-003	S-FLEX BRAKE 135 mm Stiff			Incl. pos. 67, 68
70	27-0727	PLUG			
71	900-9296	AIR CONNECTOR			
72	900-0218	SCREW			Package of 10 pcs.
73, 44, 50	900-6163-001	CERAMIC EYELET			Package of 10 pcs.
73, 44, 50	900-6163-003	CERAMIC EYELET POLISHED			Package of 10 pcs.
74	24-0617-001	VALVE COMPL.			Full threading
74	24-0617-002	VALVE COMPL.			Half threading
74	24-0617-011	VALVE COMPL.			Full threading, polished eyelet
74	24-0617-012	VALVE COMPL.			Half threading, polished eyelet
74	24-0633-001	COVER WITH EYELET			
74	24-0633-011	COVER WITH EYELET			Polished eyelet
75	24-0462	MOUNT COMPL.			
76, 85, 90	900-4065	BALL BEARING			Package of 10 pcs.
77	24-0898-001K	MOTOR CPL. SPARE PART KIT			Incl. pos. 79, 81, 82, 87, 88, 89, 90, 91, 92
77	24-0898-002K	MOTOR CPL. SPARE PART KIT			Polished rotor & eyelets. Incl. pos. 79, 81, 82, 87, 88, 89, 90, 91, 92
78	24-0058	SPACER			
79	900-4061	BALL BEARING			Package of 10 pcs.
80	24-0287	MAGNET RING COMPL WITH BELLOWS			Incl. pos. 76, 78, 83, 84, 85, 86, 100
80	24-0741-001	MAGNET RING COMPL.			Incl. pos. 76, 78, 83, 84, 85
81	24-0899-001	ROTOR CPL SPARE PART KIT			Incl. pos. 79, 82, 87, 90, 91, 92
81	24-0899-002	ROTOR CPL SPARE PART KIT			Polished. Incl. pos. 79, 82, 87, 90, 91, 92
82	900-9314	KEY			Package of 10 pcs.
83	24-0124	GROUND STRIP			
84	900-0551	SCREW			Package of 10 pcs.
85, 76, 90	900-4065	BALL BEARING			Package of 10 pcs.
86	24-0726	BELLOWS COMPL.			Incl. pos. 100, 109
87	900-6166	CERAMIC EYELET			Package of 10 pcs.
87	900-6166-001	CERAMIC EYELET			Polished. Package of 10 pcs.
88	24-0578-R	MAGNET FLANGE			
89	900-0624	SCREW			Package of 10 pcs.
90, 76, 85	900-4065	BALL BEARING			Package of 10 pcs.
91	900-9073	CIRCLIP			Package of 10 pcs.

ROJ	PAGE	Spare parts list for Chrono X4 O 8624-20/21/22/23/24/28/31-XXJ Chrono X4 M 8724-20/21/22/23/24/25/28/31-XXJ	REF. NO. 24-897Q- 2001- 03/2439	
	4 (4)			

Parts specific only to one model are identified with □ in the valid column.
Chrono X4 Optical sensor = O.
Chrono X4 Mechanical sensor = M.
Unmarked positions are common to both feeder models.

POS	PART NO	DESCRIPTION	O	M	REMARKS
92	900-9099	CIRCLIP			Package of 10 pcs.
93	24-0384-501	WINDING DISC COMPL.			
93	24-0384-502	WINDING DISC COMPL.			Polished eyelet
94	24-0116	WASHER			
95	24-0244	YARN BREAK MIRROR	□		
96	900-0327-001	SCREW	□		Package of 10 pcs.
97	24-0245	INSERT		□	
98	900-0426	SCREW	□		Package of 10 pcs.
99	24-0422	REFLECTOR	□		
100	24-0726	BELLOWS COMPL.			Incl. pos. 86, 109
101	24-0725	COUNTER WEIGHT Assembly kit			Incl. pos. 102
102	24-0725	COUNTER WEIGHT Assembly kit			Incl. pos. 101
103	24-0724-002	INCLINED HUB Assembly kit			Incl. pos. 108, 110
104, 107	900-4064	BALL BEARING			Package of 10 pcs.
105	24-0141	TUMBLING CYLINDER			Incl. pos. 104, 106, 107
106	24-0059	SPACER			
107, 104	900-4064	BALL BEARING			Package of 10 pcs.
108	24-0724-002	INCLINED HUB Assembly kit			Incl. pos. 103, 110
109	900-0585	SCREW			Package of 10 pcs.
110	24-0724-002	INCLINED HUB Assembly kit			Incl. pos. 103, 108
111	24-0242	BELLOWS			
112	24-0237	SPOOL BODY			
113	900-0120	SCREW			Package of 10 pcs.
114	900-9058	CIRCLIP			Package of 10 pcs.
115	24-0723	S/Z BUTTON Assembly kit			Incl. pos. 114, 116
116	24-0723	S/Z BUTTON Assembly kit			Incl. pos. 114, 115
117	24-0722	WASHER PACKAGE AND SCREW			Incl. pos. 118
118	24-0722	WASHER PACKAGE AND SCREW			Incl. pos. 117
119	27-0160	CONE			
120	24-0174	THREADING NEEDLE			
121	24-0968	CABLE COVER KIT.			Incl. pos. 122
122	900-0509	SCREW			Package of 10 pcs.