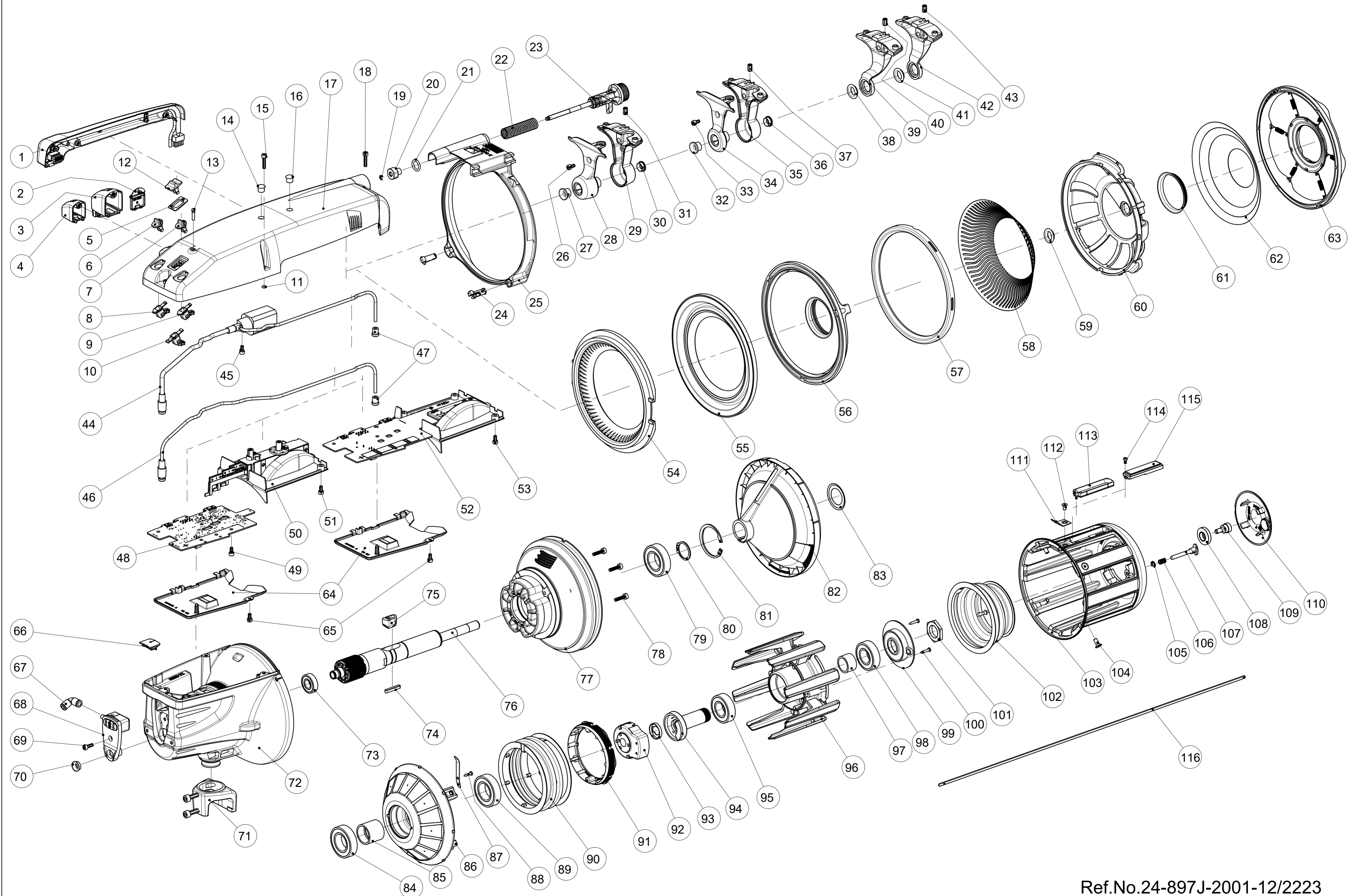


6024/6124 Chrono X3 - Exploded view





Parts specific only to one model are identified with □ in the valid column.
Chrono X3 Optical sensor = O.
Chrono X3 Mechanical sensor = M.
Unmarked positions are common to both feeder models.

POS	PART NO	DESCRIPTION	O	M	REMARKS
1	24-0652-001	CABLE CHANNEL			
2	24-0611	CABLE COVER			
3	24-0803-1750	CONNECTION CABLE			
3	24-0803-3000	CONNECTION CABLE			Not valid for CAN communication
3	24-0803-5000	CONNECTION CABLE			Not valid for CAN communication
4	24-0653-R	CABLE COVER ACCESSORIES			
5	24-0721-R	ON/OFF SWITCH Assembly kit			Incl. pos. 10, 12
6	24-0720-R	S/Z SWITCH Assembly kit			Incl. pos. 8
7	24-0719-R	SPEED SWITCH Assembly kit		□	Incl. pos. 9
8	24-0720-R	S/Z SWITCH Assembly kit			Incl. pos. 6
9	24-0719-R	SPEED SWITCH Assembly kit		□	Incl. pos. 7
10	24-0721-R	ON/OFF SWITCH Assembly kit			Incl. pos. 5, 12
11	900-9355	O.RING			Package of 10 pcs.
12	24-0721-R	ON/OFF SWITCH Assembly kit			Incl. pos. 5, 10
13	28-0041	LIGHT GUIDE			
14, 16	900-9375	PLUG	□		Package of 10 pcs.
15, 18	900-0260	SCREW			Package of 10 pcs.
16, 14	900-9375	PLUG	□		Package of 10 pcs.
17	24-0796-000L	TOP COVER	□		
17	24-0796-001L	TOP COVER		□	
18, 15	900-0260	SCREW			Package of 10 pcs.
19	900-9055	LOCKING WASHER			Package of 10 pcs.
20	24-0718-000	QUICK RELEASE Assembly kit			Incl. pos. 19, 21, 22, 23
21	900-9353	O.RING			Package of 10 pcs.
22	24-0718-000	QUICK RELEASE Assembly kit			Incl. pos. 19, 20, 21, 23
23	24-0718-000	QUICK RELEASE Assembly kit			Incl. pos. 19, 20, 21, 22
24	24-0605	SNAP IN CAGE			
25	24-0635-001	BRUSH HOLDER			Full threading. Incl. pos. 20 (nut only), 21, 24
25	24-0635-002	BRUSH HOLDER			Half threading and non.threading. Incl. pos. 20 (nut only), 21, 24
26, 33, 45, 49, 51, 53, 65	900-0117	SCREW			Package of 10 pcs.
27, 32	24-0591-001	EYELET			Package of 10 pcs.
27, 32	24-0591-002	EYELET Polished			Package of 10 pcs.
28	24-0648-001	NOSE 30° COVER			Full threading. Incl. pos. 27
28	24-0648-002-R	NOSE 30° COVER Polished eyelet			Full threading. Incl. pos. 27
29	24-0590-001L	NOSE 30° COMPLETE			Full threading. Incl. pos. 26, 27, 28, 30, 31
29	24-0590-002L	NOSE 30° COMPLETE Polished			Full threading. Incl. pos. 26, 27, 28, 30, 31
30, 36	900-6163-001	EYELET			Package of 10 pcs.
30, 36	900-6163-003	EYELET Polished			Package of 10 pcs.
31, 37, 40, 43	900-0495	SCREW			Package of 10 pcs.
32, 27	24-0591-001	EYELET			Package of 10 pcs.
32, 27	24-0591-002	EYELET Polished			Package of 10 pcs.
33, 26, 45, 49, 51, 53, 65	900-0117	SCREW			Package of 10 pcs.
34	24-0649-001	NOSE 42° COVER			Full threading. Incl. pos. 32
34	24-0649-002	NOSE 42° COVER Polished eyelet			Full threading. Incl. pos. 32
35	24-0590-003L	NOSE 42° COMPLETE			Full threading. Incl. pos. 32, 33, 34, 36, 37
35	24-0590-004L	NOSE 42° COMPLETE Polished			Full threading. Incl. pos. 32, 33, 34, 36, 37
36, 30	900-6163-001	EYELET			Package of 10 pcs.
36, 30	900-6163-003	EYELET Polished			Package of 10 pcs.



Parts specific only to one model are identified with ☒ in the valid column.
Chrono X3 Optical sensor = O.
Chrono X3 Mechanical sensor = M.
Unmarked positions are common to both feeder models.

POS	PART NO	DESCRIPTION	O	M	REMARKS
37, 31, 40, 43	900-0495	SCREW			Package of 10 pcs.
38, 41	27-0479-001	EYELET			Half and non.threading. Package of 10 pcs.
38, 41	27-0479-002	EYELET Polished			Half and non.threading. Package of 10 pcs.
39	24-0735-001L	NOSE 30°			Half and non.threading. Incl. pos. 38, 40
39	24-0735-002L	NOSE 30° Polished eyelet			Half and non.threading. Incl. pos. 38, 40
40, 31, 37, 43	900-0495	SCREW			Package of 10 pcs.
41, 38	27-0479-001	EYELET			Half and non.threading. Package of 10 pcs.
41, 38	27-0479-002	EYELET Polished			Half and non.threading. Package of 10 pcs.
42	24-0585-001L	NOSE 42°			Half and non.threading. Incl. pos. 41, 43
42	24-0585-002L	NOSE 42° Polished eyelet			Half and non.threading. Incl. pos. 41, 43
43, 31, 37, 40	900-0495	SCREW			Package of 10 pcs.
44	24-0668	CYLINDER COMPLETE with air tube			For full threading brush ring push by air.
45, 26, 33, 49, 51, 53, 65	900-0117	SCREW			Package of 10 pcs.
46	24-0709	AIR TUBE WITH RUBBER NIPPLE			For full threading with quick release open
47	27-0817	RUBBER NIPPLE			
48	09E00681R00	MOTOR CIRCUIT BOARD		☒	Stand alone
48	09E00681R10	MOTOR CIRCUIT BOARD		☒	Promatech
48	09E00681R20	MOTOR CIRCUIT BOARD		☒	Picanol
48	09E00681R30	MOTOR CIRCUIT BOARD		☒	Dornier
48	09E00681R40	MOTOR CIRCUIT BOARD		☒	Sultex
48	09E00681R50	MOTOR CIRCUIT BOARD		☒	Van de Wiele
48	09E00681R60	MOTOR CIRCUIT BOARD		☒	Smit
49, 26, 33, 45, 51, 53, 65	900-0117	SCREW			Package of 10 pcs.
50	24-0599-001	SENSOR COMPLETE		☒	
50	24-0599-002	SENSOR COMPLETE Plasma coated		☒	
51, 26, 33, 45, 49, 53, 65	900-0117	SCREW		☒	Package of 10 pcs.
52	09E00680R00	MOTOR CIRCUIT BOARD incl. sensor	☒		Wira, Stand alone
52	09E00680R10	MOTOR CIRCUIT BOARD incl. sensor	☒		Promatech
52	09E00680R20	MOTOR CIRCUIT BOARD incl. sensor	☒		Picanol
52	09E00680R30	MOTOR CIRCUIT BOARD incl. sensor	☒		Dornier
52	09E00680R40	MOTOR CIRCUIT BOARD incl. sensor	☒		Sultex
52	09E00680R50	MOTOR CIRCUIT BOARD incl. sensor	☒		Van de Wiele
52	09E00680R60	MOTOR CIRCUIT BOARD incl. sensor	☒		Smit
52	09E00722R00	MOTOR CIRCUIT BOARD incl. HS sensor	☒		Wira, Stand alone
52	09E00722R10	MOTOR CIRCUIT BOARD incl. HS sensor	☒		Promatech
52	09E00722R20	MOTOR CIRCUIT BOARD incl. HS sensor	☒		Picanol
52	09E00722R30	MOTOR CIRCUIT BOARD incl. HS sensor	☒		Dornier
52	09E00722R40	MOTOR CIRCUIT BOARD incl. HS sensor	☒		Sultex
52	09E00722R50	MOTOR CIRCUIT BOARD incl. HS sensor	☒		Van de Wiele
52	09E00722R60	MOTOR CIRCUIT BOARD incl. HS sensor	☒		Smit
53, 26, 33, 45, 49, 51, 65	900-0117	SCREW	☒		Package of 10 pcs.
54	24-0261-001	BRUSH SOFT, natural, z.rotation			
54	24-0261-201	BRUSH SOFT, natural, straight			
54	54T00774	BRUSH MEDIUM, natural, z.rotation			



Parts specific only to one model are identified with α in the valid column.
Chrono X3 Optical sensor = O.
Chrono X3 Mechanical sensor = M.
Unmarked positions are common to both feeder models.

POS	PART NO	DESCRIPTION	O	M	REMARKS
54	54T00775	BRUSH MEDIUM, natural, s.rotation			
54	54T00773	BRUSH MEDIUM, natural, straight			
54	24-0261-004	BRUSH MEDIUM, synthetic, z.rotation			
54	24-0261-104	BRUSH MEDIUM, synthetic, s.rotation			
54	24-0261-204	BRUSH MEDIUM, synthetic, straight			
54	24-0261-005	BRUSH STIFF, synthetic, z.rotation			
54	24-0261-105	BRUSH STIFF, synthetic, s.rotation			
54	24-0261-205	BRUSH STIFF, synthetic, straight			
54	54T00783	BRUSH X.STIFF, synthetic, z.rotation			
54	54T00784	BRUSH X.STIFF, synthetic, s.rotation			
54	54T00782	BRUSH X.STIFF, synthetic, straight			
54	24-0261-007	BRUSH STIFF, synthetic, z.rotation			Ø110 mm. Recommend for fibreglass.
54	24-0261-107	BRUSH STIFF, synthetic, s.rotation			Ø110 mm. Recommend for fibreglass.
54	24-0261-207	BRUSH STIFF, synthetic, straight			Ø110 mm. Recommend for fibreglass.
55	24-0252-001	E.FLEX, SOFT			(Strip only = 24.0253.001)
55	24-0252-102	E.FLEX, MEDIUM			(Strip only = 24.0253.002)
55	24-0281-003	E.FLEX, STIFF			(Strip only = 24.0253.007)
55	24-0281-103	E.FLEX, EXTRA STIFF			(Strip only = 24.0253.007)
56	54T01059	M.FLEX, Soft			
56	54T01060	M.FLEX, Medium			
56	54T01061	M.FLEX, Stiff			
57	24-0702-001	LAMELLA BRAKE COMPL. soft, Z.rotation			Incl. pos. 58, 59, 60 + 34, 42
57	24-0702-002	LAMELLA BRAKE COMPL. medium, Z.rotation			Incl. pos. 58, 59, 60 + 34, 42
57	24-0702-003	LAMELLA BRAKE COMPL. stiff, Z.rotation			Incl. pos. 58, 59, 60 + 34, 42
58	24-0702-001	LAMELLA BRAKE COMPL. soft, Z.rotation			Incl. pos. 57, 59, 60 + 34, 42
58	24-0702-002	LAMELLA BRAKE COMPL. medium, Z.rotation			Incl. pos. 57, 59, 60 + 34, 42
58	24-0702-003	LAMELLA BRAKE COMPL. stiff, Z.rotation			Incl. pos. 57, 59, 60 + 34, 42
59	26A00057	EYELET			Package of 10 pcs.
60	24-0702-001	LAMELLA BRAKE COMPL. soft, Z.rotation			Incl. pos. 57, 58, 59 + 34, 42
60	24-0702-002	LAMELLA BRAKE COMPL. medium, Z.rotation			Incl. pos. 57, 58, 59 + 34, 42
60	24-0702-003	LAMELLA BRAKE COMPL. stiff, Z.rotation			Incl. pos. 57, 58, 59 + 34, 42
61+62+63	24-0699-101	S.FLEX soft			
61+62+63	24-0699-002	S.FLEX standard			
61+62+63	24-0699-003	S.FLEX stiff			
61	24-0662	LOCKING RING			
62	43E00088	CONE soft			
62	24-0727-001	CONE standard			
62	24-0727-002	CONE stiff			
63	24-0786-101	S.FLEX BRACKET soft			
63	24-0786-002	S.FLEX BRACKET standard			
63	24-0786-003	S.FLEX BRACKET stiff			
64	24-0603	PROTECTION COVER			
65, 26, 33, 45, 49, 51, 53	900-0117	SCREW			Package of 10 pcs.
66	27-0727	GROMMET			
67	900-9296	AIR CONNECTION			
68	24-0617-001	AIR VALVE for threading			Full threading
68	24-0617-002	AIR VALVE for threading			Half threading
68	24-0617-011	AIR VALVE for threading, polished eyelet			Full threading
68	24-0617-012	AIR VALVE for threading, polished eyelet			Half threading
68	24-0633-001	COVER with eyelet			
68	24-0633-011	COVER with eyelet, polished			
69	900-0218	SCREW			Package of 10 pcs.
70	900-6163-001	EYELET			Package of 10 pcs.



Parts specific only to one model are identified with □ in the valid column.
Chrono X3 Optical sensor = O.
Chrono X3 Mechanical sensor = M.
Unmarked positions are common to both feeder models.

POS	PART NO	DESCRIPTION	O	M	REMARKS
70	900-6163-003	EYELET polished			Package of 10 pcs.
71	24-0462	MOUNT COMPL.			
72	24-0898-001K	KIT . MOTOR COMPL.			Incl. pos. 73, 74, 75, 76, 77, 78, 79, 80, 81
72	24-0898-002K	KIT . MOTOR COMPL. Pol. rotor and eyelets			Incl. pos. 73, 74, 75, 76, 77, 78, 79, 80, 81
73	900-4061	BEARING			Package of 10 pcs.
74	900-9314	KEY			Package of 10 pcs.
75	900-6166	EYELET			Package of 10 pcs.
75	900-6166-001	EYELET, polished			Package of 10 pcs.
76	24-0899-001	KIT – ROTOR COMPL.			Incl. pos. 73, 74, 75, 79, 80, 81
76	24-0899-002	KIT – ROTOR COMPL., polished			Incl. pos. 73, 74, 75, 79, 80, 81
77	24-0578-R	MAGNET FLANGE			
78	900-0624	SCREW			Package of 10 pcs.
79, 84, 89	900-4065	BEARING			Package of 10 pcs.
80	900-9073	CIRCLIP			Package of 10 pcs.
81	900-9099	CIRCLIP			Package of 10 pcs.
82	24-0384-501	WINDING DISC COMPL.			
82	24-0384-502	WINDING DISC COMPL. Polished eyelet			
83	24-0116	WASHER			
84, 79, 89	900-4065	BEARING			Package of 10 pcs.
85	24-0058	SPACER			
86	24-0287	MAGNET RING COMPL WITH BELLOWS			Incl. pos. 82, 83, 85, 86, 87, 88, 89
86	24-0741-001	MAGNET RING COMPL.			Incl. pos. 82, 83, 85, 86, 87
87	24-0124	GROUND STRIP			
88	900-0551	SCREW			Package of 10 pcs.
89, 79, 84	900-4065	BEARING			Package of 10 pcs.
90	24-0726	BELLOWS COMPLETE			Incl. pos. 91, 100
91	24-0726	BELLOWS COMPLETE			Incl. pos. 90, 100
92	24-0725	COUNTER WIEGHT Assembly kit Chrono X3			Incl. pos. 93
93	24-0725	COUNTER WIEGHT Assembly kit Chrono X3			Incl. pos. 92
94	24-0724-002	INCLINED HUB Assembly kit, Chrono X3			Incl. pos. 99, 101
95, 98	900-4064	BEARING			Package of 10 pcs.
96	24-0141	TUMBLING CYLINDER Complete			Incl. pos. 95, 97, 98
97	24-0059	SPACER			
98, 95	900-4064	BEARING			Package of 10 pcs.
99	24-0724-002	INCLINED HUB Assembly kit, Chrono X3			Incl. pos. 94, 101
100	900-0585	SCREW			Package of 10 pcs.
101	24-0724-002	INCLINED HUB Assembly kit, Chrono X3			Incl. pos. 94, 99
102	24-0242	BELLOWS			
103	24-0237	SPOOL BODY			
104	900-0120	SCREW			Package of 10 pcs.
105	900-9058	LOCKING WASHER			Package of 10 pcs.
106	24-0723	S/Z BUTTON Assembly kit			Incl. pos. 105, 107
107	24-0723	S/Z BUTTON Assembly kit			Incl. pos. 105, 106
108	24-0722	WASHER Package and screw Chrono X2/X3			Incl. pos. 109
109	24-0722	WASHER Package and screw Chrono X2/X3			Incl. pos. 108
110	27-0160	COVER			
111	24-0244	YARN BREAK MIRROR	□		
112	900-0327-001	SCREW	□		Package of 10 pcs.
113	24-0245	INSERT		□	
114	900-0426	SCREW	□		Package of 10 pcs.
115	24-0422	REFLECTOR COMPL.	□		
116	24-0174	THREADING NEEDLE			