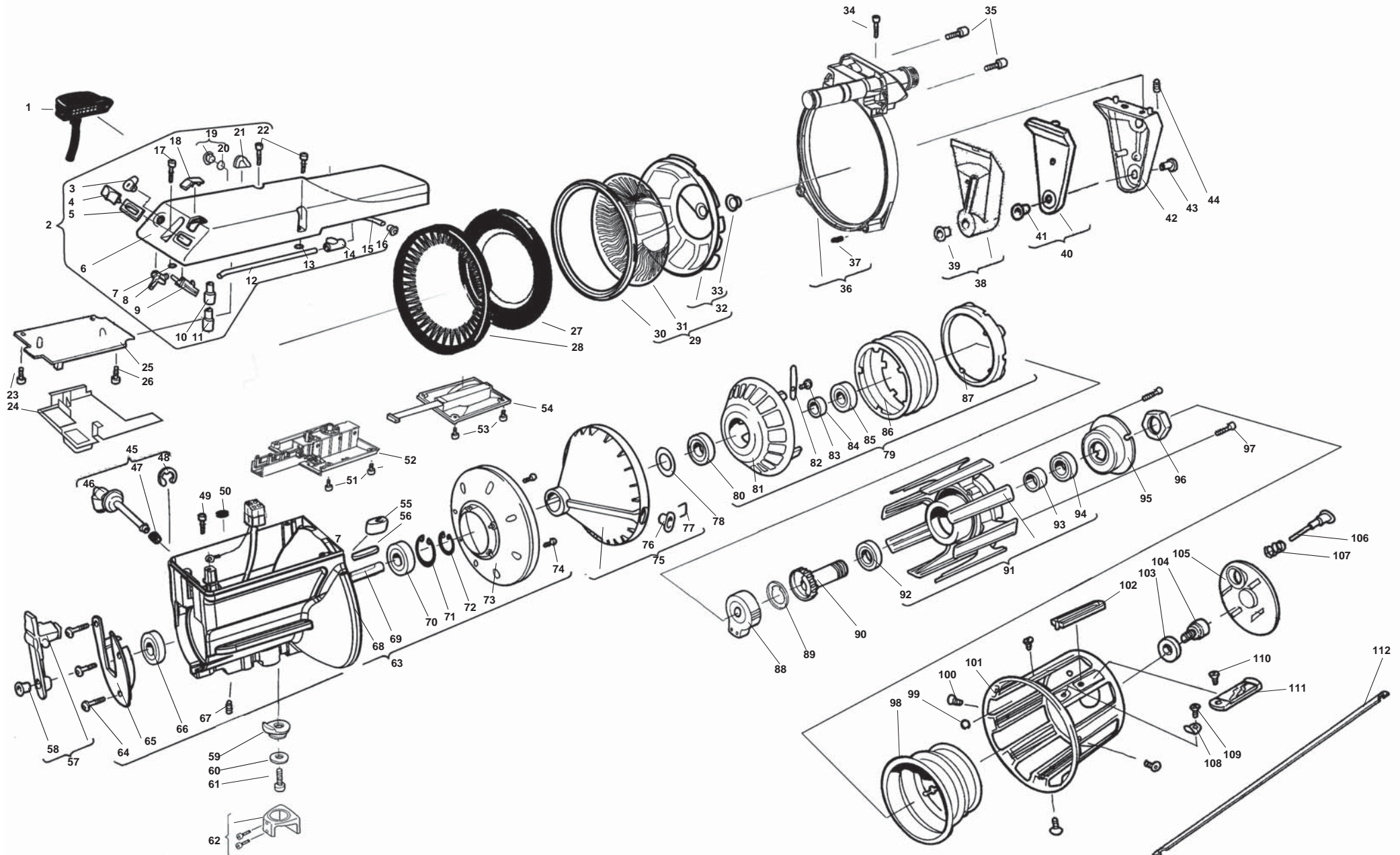



CHRONO X2 - Exploded view



ROJ [®]	PAGE 1 (4)	Spare parts list for Chrono X2 O 5024-.20/21/22/23/24-XXF Chrono X2 M 5124-.20/21/22/23/24-.XXF	REF. NO. 24-897E- 2001- 04/1126	
		Spare parts list for Chrono X2 O 5024-.20/21/22/23/24.XXG Chrono X2 M 5124-.20/21/22/23/24-.XXG		

Parts specific only to one model are identified with ☒ in the centre column.

Chrono X2 Optical sensor = O.


Chrono X2 Mechanical sensor = M.

Unmarked positions are common to both feeder models.

Chrono X2 Rev F to series number O =06451070 M =06491350

Chrono X2 Rev G from series number O =06451239 M =06491419

POS	PART NO	DESCRIPTION	Chrono X2 Rev F		Chrono X2 Rev G		REMARKS
			O	M	O	M	
1	27.0676.1750	CABLE 1.75 m					
2	24.0325.000L	TOP COVER assy.					Full-threading.
2	24.0325.100L	TOP COVER assy.					Manual and half-threading
3	27.0509	SWITCH, max speed		☒		☒	
4	24.0047	SWITCH, on/off					
5	24.0048	FRAME					
6	24.0374.000L	TOP COVER					
7	900.9355	O-RING					
8	24.0377	MAGNET HOLDER, max speed					
9	24.0376	MAGNET HOLDER on/off					
10	24.0114	CONNECTOR					
11	24.0123	SEAL					
12	25.0652.004	HOSE					
13	900.9355	O-RING					
14	24.0094	T-CONNECTOR					
15	24.0145.002	HOSE					
16	27.0222	CONNECTOR					
17	900.0187	SCREW					
18	24.0069	INDICATOR COVER					
19	900.5531	PLUG					
19	27.0724.001	SWITCH, s/z					
20	900.9104	O-RING					
21	27.0739	SEALING					
22	900.0187	SCREW					
23	900.0179	SCREW					
24	24.0359	PROTECTION COVER		☒		☒	
24	24.0414	PROTECTION COVER	☒		☒		
25	24.9142.0NNN*	CIRCUIT BOARD Compl.	☒		☒		*Loom model must be specified (Manufacture and type)
25	24.9142.1NNN*	CIRCUIT BOARD Compl.		☒		☒	*Loom model must be specified (Manufacture and type)
26	900.0179	SCREW					
27	24.0252.001	E-FLEX, SOFT					(Strip only = 24.0253.001)
27	24.0252.102	E-FLEX, MEDIUM					(Strip only = 24.0253.002)
27	24.0281.003	E-FLEX, STIFF					(Strip only = 24.0253.007)
27	24.0281.103	E-FLEX, EXTRA STIFF					(Strip only = 24.0253.007)
27	24.0378.001	MBS/R SOFT					
27	24.0378.002	MBS/R MEDIUM					
27	24.0378.003	MBS/R STIFF					
27	24.0252.012	L-FLEX SOFT z-rot					
27	24.0252.014	L-FLEX SOFT s-rot					
27	24.0252.112	L-FLEX MEDIUM z-rot					
27	24.0252.114	L-FLEX MEDIUM s-rot					
27	24.0281.016	L-FLEX STIFF z-rot					
27	24.0281.018	L-FLEX STIFF s-rot					
28	24.0261.001	BRUSH SOFT, natural, z-rotation					
28	24.0261.101	BRUSH SOFT, natural, s-rotation					
28	24.0261.201	BRUSH SOFT, natural, straight					

ROJ [®]	PAGE 2 (4)	Spare parts list for Chrono X2 O 5024-.20/21/22/23/24-XXF Chrono X2 M 5124-.20/21/22/23/24-.XXF	REF. NO. 24-897E- 2001- 04/1126	
		Spare parts list for Chrono X2 O 5024-.20/21/22/23/24.XXG Chrono X2 M 5124-.20/21/22/23/24-.XXG		

Parts specific only to one model are identified with α in the centre column.

Chrono X2 Optical sensor = O.


Chrono X2 Mechanical sensor = M.

Unmarked positions are common to both feeder models.

Chrono X2 Rev F to series number O =06451070 M =06491350

Chrono X2 Rev G from series number O =06451239 M =06491419

POS	PART NO	DESCRIPTION	Chrono X2 Rev F		Chrono X2 Rev G		REMARKS
			O	M	O	M	
28	54T00774	BRUSH MEDIUM, natural, z-rotation					
28	54T00775	BRUSH MEDIUM, natural, s-rotation					
28	54T00773	BRUSH MEDIUM, natural, straight					
28	24.0261.004	BRUSH MEDIUM, synthetic, z-rotation					
28	24.0261.104	BRUSH MEDIUM, synthetic, s-rotation					
28	24.0261.204	BRUSH MEDIUM, synthetic, straight					
28	24.0261.005	BRUSH STIFF, synthetic, z-rotation					
28	24.0261.105	BRUSH STIFF, synthetic, s-rotation					
28	24.0261.205	BRUSH STIFF, synthetic, straight					
28	54T00783	BRUSH X-STIFF, synthetic, z-rotation					
28	54T00784	BRUSH X-STIFF, synthetic, s-rotation					
28	54T00782	BRUSH X-STIFF, synthetic, straight					
28	24.0261.007	BRUSH STIFF, synthetic, z-rotation					Recommend for fibreglass (diameter=110 mm)
28	24.0261.107	BRUSH STIFF, synthetic, s-rotation					Recommend for fibreglass (diameter=110 mm)
28	24.0261.207	BRUSH STIFF, synthetic, straight					Recommend for fibreglass (diameter=110 mm)
28	24.0261.008	BRUSH SOFT, synthetic, z-rotation					
28	24.0261.108	BRUSH SOFT, synthetic, s-rotation					
28	24.0261.208	BRUSH SOFT, synthetic, straight					
29	54T00706	LAMELLA BRAKE Compl. soft, Z-rotation					
29	54T00707	LAMELLA BRAKE Compl. medium, Z-rotation					
29	54T00708	LAMELLA BRAKE Compl. stiff, Z-rotation					
30	43A00487	LOCKING RING					
31	52T00010	LAMELLA soft, Z-rotation					
31	52T00011	LAMELLA medium, Z-rotation					
31	52T00083	LAMELLA stiff, Z-rotation					
32	26A00057	BASKET WITH EYELET					Pos. 33 included
33	27.0479.001	EYELET					
34	900.0496	SCREW					
35	900.0496	SCREW					
36	24.0290.001L	BRUSH HOLDR compl.					Full-threading
36	24.0290.002L	BRUSH HOLDER compl.					Manual and Half-threading
37	27.0490.001	LOCATING DOGS					
38	27.0597.001	NOSE EXTENDER compl. 30°					(Polished version = 27.0597.002)
39	900.6163.001	EYELET					
40	27.0465.001	NOSE EXTENDER compl. 42°					(Polished version = 27.0465.002)
41	900.6163.001	EYELET					
42	27.0144.100L	NOSE Compl. 30° included pos.38,43,44					(Polished version = 27.00144.101L)
42	27.0144.000L	NOSE Compl. 42° included pos.40,43,44					(Polished version = 27.00144.001L)
43	900.6163.001	EYELET					(Polished version = 900.6163.003)
44	900.0495	SCREW					
45	24.0138	CONNECTOR compl.					
46	24.0027	CONNECTOR					
47	24.0173	GROMMET					

ROJ [®]	PAGE 3 (4)	Spare parts list for Chrono X2 O 5024-.20/21/22/23/24-XXF Chrono X2 M 5124-.20/21/22/23/24-.XXF	REF. NO. 24-897E- 2001- 04/1126	
		Spare parts list for Chrono X2 O 5024-.20/21/22/23/24.XXG Chrono X2 M 5124-.20/21/22/23/24-.XXG		

Parts specific only to one model are identified with ☒ in the centre column.

Chrono X2 Optical sensor = O.


Chrono X2 Mechanical sensor = M.

Unmarked positions are common to both feeder models.

Chrono X2 Rev F to series number O =06451070 M =06491350

Chrono X2 Rev G from series number O =06451239 M =06491419

POS	PART NO	DESCRIPTION	Chrono X2 Rev F		Chrono X2 Rev G		REMARKS
			O	M	O	M	
48	900.9364	CIRCLIP					
49	24.0117	SCREW					
50	24.0371	GROMMET					
51	24.0117	SCREW					
52	24.0328.001	SENSOR Compl.		☒			Plasma coated version 24.0328.002
52	24.0328.101	SENSOR Compl.				☒	Plasma coated version 24.0328.102
53	24.0117	SCREW					
54	24.0368.001	SENSOR compl.	☒				
54	24.0473.001	SENSOR compl.				☒	
55	900.6166	EYELET					(Extra polished version = 24.0319)
56	900.9314	KEY					
57	24.0026	VALVE compl.					Full-threading (Extra polished version = 24.0026.001)
57	24.0026.100	VALVE compl.					Half-threading (Extra polished version = 24.0026.101)
57	24.0026.200	VALVE compl.					Manual threading (Extra polished version =24.0026.201)
58	900.6163.001	EYELET					(Extra polished version = 900.6163.003)
59	24.0433	WASHER					
60	900.2008	WASHER					
61	900.0333	SCREW					
62	24.0462	MOUNT assy.					
63	24.0395.000K	MOTOR COMPL.	☒	☒			(Polished version = 24.0395.001K)
63	24.0472.000K	MOTOR COMPL.				☒ ☒	(Polished version = 24.0472.001K)
64	900.0187	SCREW					
65	24.0021.000K	BEARING HOLDER	☒	☒			
65	24.0502.000K	BEARING HOLDER				☒ ☒	
66	900.4066	BEARING					
67	900.0518	SCREW	☒	☒			
67	900.0529	SCREW				☒ ☒	
68	24.0004.001K	MOTOR HOUSE	☒	☒			
68	24.0500.000K	MOTOR HOUSE				☒ ☒	
69	24.0365	ROTOR compl.	☒	☒			(Polished version = 24.0365.001)
69	24.0469	ROTOR compl.				☒ ☒	(Polished version = 24.0469.001)
70	900.4065	BEARING					
71	900.9099	CIRCLIP					
72	900.9073	CIRCLIP					
73	24.0025	MAGNET RING					
74	900.0478	SCREW					
75	24.0384.001	WINDING DISC compl.	☒	☒			(Extra polished version = 24.0384.002)
75	24.0384.101	WINDING DISC compl.				☒ ☒	(Extra polished version = 24.0384.102)
76	24.0003	EYELET					(Extra polished version = 24.0003.001)
77	24.0068	EYELET HOLDER					
78	24.0116	WASHER					
79	24.0287	MAGNET RING compl.					(With stiff bellow for wira machines = 24.0287.001)
80	900.4065	BEARING					
81	24.0287	MAGNET RING					
82	24.0124	EARTH STRIP					

ROJ [®]	PAGE 4 (4)	Spare parts list for Chrono X2 O 5024-.20/21/22/23/24-XXF Chrono X2 M 5124-.20/21/22/23/24-.XXF	REF. NO. 24-897E- 2001- 04/1126	
		Spare parts list for Chrono X2 O 5024-.20/21/22/23/24.XXG Chrono X2 M 5124-.20/21/22/23/24-.XXG		

Parts specific only to one model are identified with □ in the centre column.

Chrono X2 Optical sensor = O.

Chrono X2 Mechanical sensor = M.

Unmarked positions are common to both feeder models.

Chrono X2 Rev F to series number O =06451070 M =06491350

Chrono X2 Rev G from series number O =06451239 M =06491419

POS	PART NO	DESCRIPTION	Chrono X2 Rev F		Chrono X2 Rev G		REMARKS
			O	M	O	M	
83	900.0478	SCREW					
84	24.0058	SPACER					
85	900.4065	BEARING					
86	24.0033	BELLOW					(Stiff bellow for wira machines = 24.0033.001)
87	24.0072	BELLOW RING					
88	24.0456	COUNTERWEIGHT					
89	24.0457	WASHER					
90	24.0437.002	INCLINED HUB					(XL sep = 24.0437.003) Only for M.
91	24.0141	TUMBLE CYLINDER assy.					
92	900.4064	BEARING					
93	24.0059	SPACER					
94	900.4064	BEARING					
95	24.0270	S/Z RING					
96	31.0350	NUT					
97	900.0479	SCREW					
98	24.0242	BELLOW					
99	900.9058	CLIP					
100	900.0120	SCREW					
101	24.0237	SPOOL BODY					(Extra polished version = 24.0237.001) (Spool body use with XL separation= 24.0348.006)
101	24.0320	SPOOL BODY Plasma coated version					
102	24.0245	INSERT		□		□	
103	24.0137	SPRING WASHER					
104	24.0134	SCREW					
105	27.0160	COVER					
106	24.0269	S/Z-BUTTON					
107	27.0163	SPRING					
108	24.0244	YARN BREAK MIRROR	□		□		
109	900.0327.001	SCREW	□		□		
110	900.0426	SCREW	□		□		
111	24.0422	REFLECTOR compl.	□		□		
112	24.0174	THREADING NEEDEL					