

# ERGOBJÖRN TW-20 WALKIE TRACTOR



## TERMS & FUNCTIONS

Easy-to-drive towing tractor designed to easily and safely move heavy trailers on wheels. The Ergobjörn TW-series is a walkie tractor that facilitates heavy work and helps

prevent risks of damages and accidents. It can handle loads of up to 2 tonnes with minimal effort.

# HelgeNyberg

THE PRODUCER OF ERGOBJÖRN


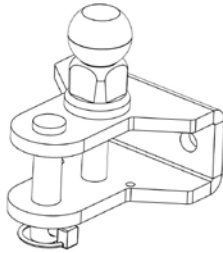
Tractor specifications			TW-20	
Identification	1.1	Manufacturer		Helge Nyberg
	1.2	Model		14166220
	1.3	Drive		Electric
	1.4	Operator type		Hand
	1.5	Load capacity	kg	2000
Wheels	2.1	Service weight with battery	kg	190
	3.1	Drive wheel		Foam filled
	3.2	Wheel size, front	mm	∅ 260
	3.3	Wheel size, rear	mm	∅ 200
	3.5	Wheels, number front/rear (x=driven wheels)		2x/1
Dimens.	4.9	Height of tiller arm, min/max	mm	955/1120
	4.19	Overall length	mm	1290/1470
	4.21	Overall width	mm	495
Pref. data	5.1	Travel speed with load, hi/low	km/h	5/2,5
		Travel speed without load, hi/low	km/h	5/2,5
Motor	6.1	Motor DC	W	400
	6.4	Battery voltage	V/Ah	24
		Programmable motor controller		Curtis

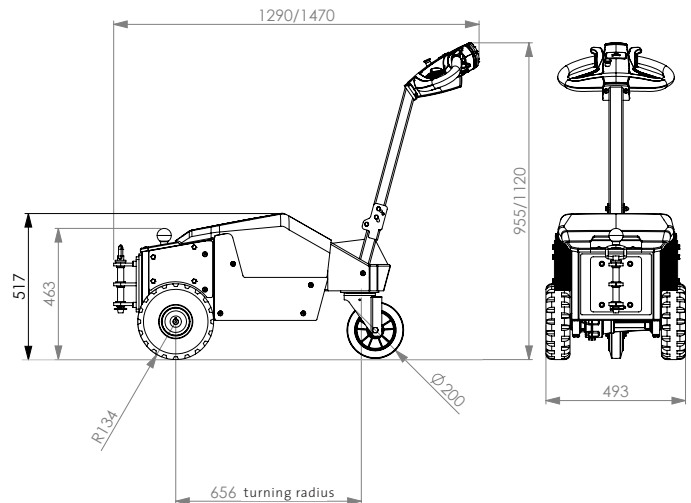
In accordance with VDI Guideline 2198 this specification sheet provides details of the standard tractor only.

#### Batteries

Art. no.	AGM	Art. no.	GEL	Art. no.	Li-ion
12264081	Battery set AGM, 2x 12 V/36Ah	12264082	Battery set GEL, 2x 12 V/76Ah	12264084	Battery set Lithium, 1x24V/31 Ah
12264085	Charger 24 V/4A	12264086	Charger 24 V/16,5A	12264087	Charger 24V/15A

#### Accessories

	
<b>Art. no.</b> 12264111	<b>Article</b> Pin code panel
<b>Art. no.</b> 07070430	<b>Article</b> Dual towing device ball and tow pin



# HelgeNyberg

#### HEAD OFFICE / SWEDEN

Industrivägen 2  
SE-523 90 Ulricehamn

Phone +46 321 263 00  
Fax +46 321 263 01

info@helge-nyberg.com  
www.helge-nyberg.com