

ERGOBJÖRN TT-05



TERMS & FUNCTIONS

A three-wheeled towing tractor with pneumatic tires, which makes it run quietly and smoothly over the thresholds, even on delicate flooring, such as tiles and parquet. It has a presence con-

trol by an infrared sensor, which provides a high level of safety for the driver. Choose between a standing frame or scooter seat.

HelgeNyberg

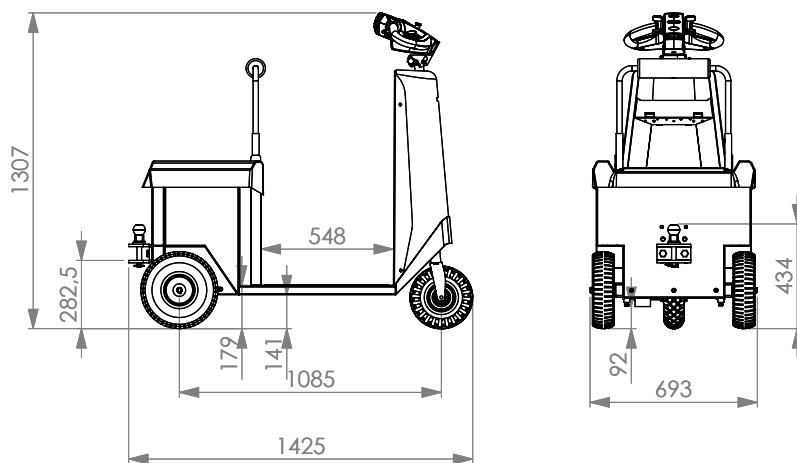
THE PRODUCER OF ERGOBJÖRN

Truck specifications			
Identification	1.1	Manufacturer	Helge Nyberg AB
	1.2	Model	TT-05
	1.5	Load capacity/rated load	kg 500
	1.9	Wheelbase	mm 1085
Wheels	2.1	Service weight	kg 160 + battery
	3.1	Tyres	Air pneumatic
	3.2	Tyre size, front	mm \varnothing 260x85
	3.3	Tyre size, rear	mm \varnothing 320x90
Basic dimensions	3.5	Wheels, number front/rear	1/2
	4.2.1	Total height	mm 1250
	4.12	Coupling height	mm 282-399/434-494
	4.19	Overall length	mm 1425
Perform. data	4.21	Overall width	mm 683
	4.32	Ground clearance, centre of wheelbase	mm 92/141
Electric motor	5.1	Travel speed, loaded/unloaded	km/h 10,5
	5.7	Gradeability, loaded/unloaded	% 10
	5.10	Service brake	Yes
Misc.	6.4	Battery voltage/nominal capacity K5	V 24
	6.5	Battery weight	kg 76 Ah 29 kg x 2 105 Ah 38 kg x 2
Misc.	8.4	Sound pressure level at operator's ear as per EN 12053	dB (A) 70
	8.5	Trailer coupling, model	mm pin \varnothing 19 ball \varnothing 50
	8.6	Attendance control	Infrared sensor
	8.7	Emergency stop	Yes

In accordance with VDI Guideline 2198 this specification sheet provides details of the standard truck only.

Non-standard tyres, different optional equipment etc may result in different values.

Seat options - stand support and scooter seat.



HelgeNyberg

HEAD OFFICE / SWEDEN

Industrivägen 2
SE-523 90 Ulricehamn

Phone +46 321 263 00
Fax +46 321 263 01

info@helge-nyberg.com
www.helge-nyberg.com

SALES OFFICE / GERMANY

Contact information:
www.helge-nyberg.de