

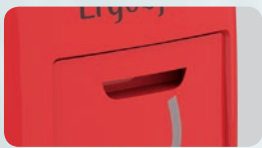
ERGOBJÖRN 707



Low in-step and a non-vibrating platform.



Ergonomiska reglage.



Easy battery exchange.



EASY TO HANDLE AND A JOY TO DRIVE

Developed for order picking. It is one of few trucks allowed to be driven on mezzanine floors. The compact design means a short turning radius.

WELL-THOUGHT OUT DRIVER SPACE

Wide, ergonomic and non-vibrating rubber floor. Works with presence control, where the truck can be driven only when the driver stands on the rubber platform. It also has smart compartments for storage.

ERGONOMIC CONTROLS

Ergonomy and smart functions make the truck intuitive and easy to drive. It is free from disturbing details.

GOOD OVERVIEW

The compact design provides a good overview in all directions, which increases safety.

DIFFERENT TYPES OF TOWING SOLUTIONS

Which makes it possible to tow many different types of trolleys available on the market.

NO HYDRAULICS, NO LEAKAGE

The truck is a "clean machine". No leakage from oil or battery acid.

EXTRA LOW IN-STEP – 70 MM

Probably the market's lowest in-step height contributes to a higher comfort.

FUNCTIONAL LED LIGHTS

Attractive design in combination with good function. Features that characterises a successful product.

ROBUST CONSTRUCTION

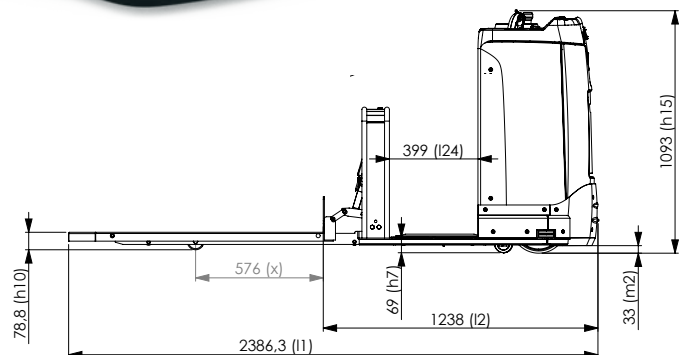
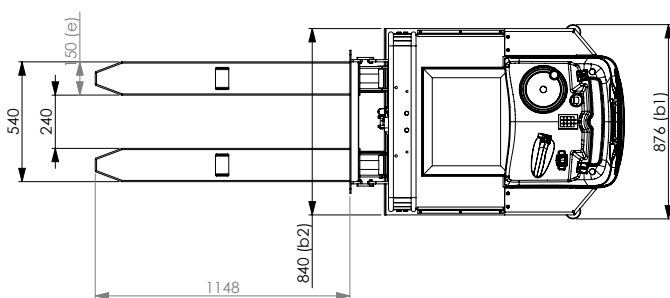
A robust and strong truck in the light-weight segment.

EASY BATTERY EXCHANGE – 20 SECONDS

Easy handling of battery exchange which only takes 20 seconds. Requires no specific area for charging.

STRONG ELECTRIC AC-DRIVE – INCREASED TOWING CAPACITY

Quieter, stronger and more sustainable. A 70% more powerful engine provides a prolonged running time.



Dimensions and technical data

Art No	14 16 47 07
Max. speed	12 km/h
Max. lifting capacity	500 kg
Lifting height	min 80 mm max 205 mm
Max. gradient	10%
Length	2320 mm
Width	860 mm
Height	1100 mm
Threshold height	70 mm

Ground clearance	30 mm
Axle distance	1545 mm
Engine	
Electrical system	24 V (AC)
Power output	1000 W
Engine type	AC, "In-wheel-drive"
Drive wheels	ø250 x 80 Polyurethane
Rear wheels	ø80 x 90 Polyurethane
Support wheels	ø80 x 35 Polyurethane

Batteries	Valve-regulated, maintenance-free gel batteries. No specific charging room equipment required for charging.		
Voltage	Capacity	Battery weight	Total
24 V	76 Ah/C5	57,6 kg	305 kg
24 V	105 Ah/C5	75 kg	330 kg

Examples of accessories

Flashlight, accessory holder, memo board, extra battery cassette, battery exchange table etc.

HelgeNyberg AB

HEAD OFFICE / SWEDEN

Industrivägen 2
SE-523 90 Ulricehamn

Tel +46 321 263 00
Fax +46 321 263 01

info@helge-nyberg.com
www.helge-nyberg.com

GERMANY

Mobil +49 160 99 143 743, +49 176 24 990 304
Fax +46 321 263 01